

ENGINEERING
TOMORROW

Danfoss

Catalog

Danfoss A/C and refrigeration hose and fittings



Table of Contents

Introduction

General information / ordering	3-5
Chemical compatibility charts	6

Hoses: EverCool and specialty

GH001	8
EC007	9
FC800	10
FC555	11
FC802	12

Fittings: Field attachable

EZ Clip - GH001 fittings	14-39
EZ Clip - End connections and O-rings	40-41
EZ Clip - Cages, clips, and lifesavers	42
EZ Clip - Aluminum lifesaver	43
EZ Clip - Assembly tools	44
EZ Clip - Ordering and identifying	45
EZ Clip - Assembly instructions	46-47
EZ Clip - GH001: Fitting kits	48
Field attachable - FC800	49-51

Crimp fittings

757 "E" series - EC007	53-62
------------------------------	-------

Fittings: Factory crimp

GH001 and EC007	64-77
-----------------------	-------

Accessories

Sleeves and brackets	79-80
----------------------------	-------

Additional resources

PowerSource / brochures	82-83
-------------------------------	-------

Meet Danfoss' full family of mobile A/C hoses

Setting new standards for hose performance, flexibility, and durability in the mobile A/C industry.



Customers today are demanding more from their vehicles A/C system. Every component and system have to work harder and last longer, delivering consistent results mile after mile. Couple that with evolving environmental standards and you have manufacturers wondering how to design vehicles that are both productive and environmentally sustainable.

The answer, the EverCool™ family of high-performance A/C hoses.

Our complete portfolio of EverCool hoses — including the EC007 barrier hose, industry-leading GH001 veneer hose, and FC800 large bore hose — provides options for the full range of mobile A/C applications, including bus, truck, agricultural, military, and construction vehicles. All three hoses in the portfolio are qualified with multiple refrigerants, including R1234yf.

GH001 Hose packaging specifications

Cleveland stocked part numbers

BASE PART #	WR50 (BOX)			WR200 (-16 = WR250) (BOX)		
	TOTAL LENGTH (FT)	MAX # OF PIECES	MIN. LENGTH/PIECE (FT)	TOTAL LENGTH (FT)	MAX # OF PIECES	MIN. LENGTH/PIECE (FT)
GH001-4	50	1	50	200	3	40
GH001-6	50	1	50	200	3	40
GH001-8	50	1	50	200	3	40
GH001-10	50	1	50	200	3	40
GH001-12	50	1	50	200	3	40
GH001-16	50	1	50	200	3	40

Reeled part number format: GH001-4WR50 or GH001-4WR200

Van Wert stocked part numbers

BASE PART #	RL (REEL)		
	TOTAL LENGTH (FT)	MAX # OF PIECES	MIN. LENGTH/PIECE (FT)
GH001-4	500	8	10
GH001-6	560	3	40
GH001-8	575	3	40
GH001-10	560	3	40
GH001-12	367	3	40
GH001-16	250	3	40

Bulk part number format: GH001-4

For Van Wert bulk ordering only (using base part #): Order the quantity of hose desired, in feet, and that is what will ship from Van Wert (cannot guarantee continuous lengths).

Reeled part number format: GH001-4RL

How to use this catalog

Accurate processing and prompt delivery of your order depends on easy identification of your requirements. Order Danfoss parts using correct part numbers as described in this catalog. Inquiries and orders should be directed to your Danfoss distributor.

EC007 Hose packaging specifications

Cleveland stocked part numbers

BASE PART #	WRL (REEL)			WR100 (BOX)		
	TOTAL LENGTH (FT)	MAX # OF PIECES	MIN. LENGTH/PIECE (FT)	TOTAL LENGTH (FT)	MAX # OF PIECES	MIN. LENGTH/PIECE (FT)
EC007-06	560	5	40	100	2	40
EC007-08	575	5	40	100	2	40
EC007-10	550	5	40	100	2	40
EC007-12	350-375	5	40	100	2	40

Reeled part number format:
EC007-06WRL or EC007-06W100

Van Wert stocked part numbers

BASE PART #	RL (REEL)		
	TOTAL LENGTH (FT)	MAX # OF PIECES	MIN. LENGTH/PIECE (FT)
EC007-06	560	5	40
EC007-08	5750	5	40
EC007-10	550	5	40
EC007-12	350-375	5	40
EC007-14	350-375	5	40

Bulk part number format: EC007-06

For Van Wert bulk ordering only (using base part #):
Order the quantity of hose desired, in feet, and that is what will ship from Van Wert (cannot guarantee continuous lengths).

Reeled part number format: EC007-06RL

FC800 and specialty hose packaging specifications

Bulk part number format: FC800-16 / FC555-16 / FC802-16

For bulk ordering in Van Wert (using base part #): Order the quantity of hose desired, in feet, and that is what will ship from Van Wert (cannot guarantee continuous lengths).

General information

Flexible hose lines offer many advantages over rigid tubing including routing ease, vibration absorption, sound deadening, and the ability to accommodate movement of connected components. However, hose lines require caution in use not only to provide long service but also to guard against potentially dangerous failure.

Important

Special care should be taken when selecting the proper refrigerant hose and fittings. The information contained in this bulletin is provided as a general guide to assist in making the appropriate product selection. This guide does not address every parameter that must be considered when selecting a product. The user must make the final product selection in consideration of the user's unique requirements.

Additionally, special care must be taken when working with refrigerant systems. Sudden escape of refrigerant gases may result in blindness or severe injury. Danfoss recommends adherence to the guidelines and

general practices as defined in SAE J2211 for the service and containment of HFC-134a, as well as all applicable EPA guidelines and procedures concerning the service of refrigerant systems.



Danfoss fitting tolerances are engineered to match Danfoss hose tolerances. The use of Danfoss fittings on hose supplied by other manufacturers and/or the use of EverCool hose with fittings supplied by other manufacturers may result in the production of unreliable and unsafe hose assemblies and is not authorized by Danfoss.

DANFOSS SHALL NOT BE SUBJECT TO AND DISCLAIMS ANY OBLIGATIONS OR LIABILITIES (INCLUDING BUT NOT LIMITED TO ALL CONSEQUENTIAL, INCIDENTAL AND CONTINGENT DAMAGES) ARISING OUT OF BREACH OF CONTRACT OR OF WARRANTY OR ARISING FROM TORT CLAIMS (INCLUDING WITHOUT LIMITATION NEGLIGENCE AND STRICT LIABILITY) OR OTHER THEORIES OF LAW WITH RESPECT TO ANY HOSE ASSEMBLIES NOT PRODUCED FROM GENUINE DANFOSS HOSE FITTINGS, HOSE AND DANFOSS APPROVED EQUIPMENT, AND IN CONFORMANCE WITH DANFOSS PROCESS AND PRODUCT INSTRUCTIONS FOR EACH SPECIFIC HOSE ASSEMBLY.

Chemical compatibility charts

Refrigerant compatibility chart of refrigerant hoses

Refrigerant	Hose style		
	GH001	EC007	FC800
R-1234YF	Y	Y	Y
R134A	Y	Y	Y
R407C	Y	Y	Y
R410A	Y	Y	Y
R404A	Y	•	Y

Y = Compatible N = Non-compatible

• Contact product support for application review

Lubricant compatibility chart

Lubricant	Hose style		
	GH001	EC007	FC800
Mineral oil	Y	•	Y
PAG	Y	Y	Y
Ester oil	Y	Y	Y
Alkylbenzene	•	•	Y

Y = Compatible N = Non-compatible

• Contact product support for application review

Hoses - EverCool and specialty



EverCool hose offerings

GH001



EverCool A/C and Refrigeration
Exceeds: SAE J3062 / J2064 Type E, Class 1

Construction	Operating parameters	Benefits	Application
<p>Tube Dual nylon veneer</p> <p>Reinforcement 1 textile braid</p> <p>Cover EPDM</p>	<p>-40 °C to +140 °C (-40 °F to +284 °F)</p> <p>R1234yf effusion .3 kg/m²/yr at 80 °C</p> <p>R134a effusion .5 kg/m²/yr at 80 °C</p> <p>Oils POE, PAG, Mineral oil</p> <p>Moisture ingress <0.039 g/cm²/year according to SAE J3062, Class 1</p>	<ul style="list-style-type: none"> Extremely low permeation Excellent heat resistance offering a higher functional temperature range than SAE J3062/ J2064 Type C or E hoses Ozone and UV resistant Easy to install - significant reduction in potential hose damage; GH001 has maximum kink resistance, temperature resistance SAE J3062 Type E veneer tube offers excellent oil and refrigerant compatibility 	<ul style="list-style-type: none"> A/C systems for truck, bus, agriculture, construction equipment, and refrigeration systems

Part #	Hose I.D.			Hose O.D.		Max. Operating Pressure		Min. Burst Pressure		Min. Bend Radius		Weight		Vacuum Service	
	DN	mm	in	mm	in	bar	psi	bar	psi	mm	in	kg/m	lbs/ft	kPa	in
GH001-4	5	5.1	0.20	11.5	0.45	35	500	140	2000	38.1	1.50	0.10	0.07	94,8	28
GH001-6	8	8.1	0.32	15.2	0.60	35	500	140	2000	50.0	2.00	0.15	0.10	94,8	28
GH001-8	10	10.7	0.42	18.3	0.72	35	500	140	2000	63.0	2.50	0.21	0.14	94,8	28
GH001-10	12	13.2	0.52	20.7	0.81	35	500	140	2000	76.2	3.00	0.22	0.15	94,8	28
GH001-12	16	16.5	0.65	25.1	0.99	35	500	140	2000	101.6	4.00	0.34	0.23	94,8	28
GH001-16	19	22.9	0.90	31.4	1.24	35	500	140	2000	177.8	7.00	0.37	0.25	94,8	28

Fitting reference

EZ Clip fittings – refer to section beginning on page 14

Factory Crimp – for more information, contact Danfoss Customer Service at +1 (952) 937-9800

EverCool hose offerings



EC007

EverCool EC007

Exceeds: SAE J3062 / J2064 Type C, Class 1

Construction	Operating parameters	Benefits	Application
Tube Chloroprene (CR) Reinforcement 1 textile braid Cover Bromobutyl (BIIR)	-40 °C to +135 °C (-4 °F to +275 °F) R1234yf effusion .65 kg/m ² /yr at 80 °C R134a effusion .8 kg/m ² /yr at 80 °C Oils POE, PAG Moisture ingress <0.039 g/cm ² /year according to SAE J3062, Class 1	<ul style="list-style-type: none"> Significantly exceeds SAE J3062 and SAE J2064 specifications Operating temperature range: -40 °C to 135 °C (-4 °F to 275 °F) Qualified with R134a, R1234yf, R407C, R513a, R404a and R452a Class 1 moisture ingress rating Ozone and UV resistant 	<ul style="list-style-type: none"> Truck, bus, agricultural, and construction vehicles

Part #	Hose I.D.			Hose O.D.		Max. Operating Pressure		Min. Burst Pressure		Min. Bend Radius		Weight		Vacuum Service	
	DN	mm	in	mm	in	bar	psi	bar	psi	mm	in	kg/m	lbs/ft	kPa	in
EC007-06	8	8.10	0.32	15.20	0.60	35	500	140	2000	50	50	2.0	0.14	94,8	28
EC007-08	10	10.70	0.42	17.80	0.70	35	500	140	2000	64	64	2.5	0.17	94,8	28
EC007-10	12	12.90	0.51	19.90	0.70	35	500	140	2000	76	76	3.0	0.19	94,8	28
EC007-12	16	16.30	0.64	24.10	0.95	35	500	140	2000	102	102	4.0	0.34	94,8	28
EC007-14	18	18.80	0.74	28.40	1.12	35	500	140	2000	127	127	5.0	0.43	94,8	28

Fitting reference

Flat crimp fittings – refer to section beginning on page 53

Factory Crimp – for more information, contact Danfoss Customer Service at +1 (952) 937-9800

EverCool hose offerings



FC800

EverCool A/C

Exceeds: SAE J3062 / J2064 Type B, Class 1

Construction	Operating parameters	Benefits	Application
<p>Tube Chloroprene (CR)</p> <p>Reinforcement 1 wire braid</p> <p>Cover EPDM</p>	<p>-40 °C to +125 °C (-40 °F to +257 °F)</p> <p>Permeation rate <1.0 kg/m²/yr (for R134a at 80 °C)</p> <p>Moisture ingress <0.039 g/cm²/year according to SAE J3062, Class 1</p> <p>Refrigerant use R134a, R407C, R1234yf; additional refrigerants and refrigerant oils upon request</p>	<ul style="list-style-type: none"> FC800 EverCool exceeds the requirements of the SAE J3062 FC800 has an excellent bend radius, virtually 1/2 of the radius of comparable large bore hoses Ozone and UV resistant 	<ul style="list-style-type: none"> Metro, large bus, and rail

Part #	Hose I.D.			Hose O.D.		Max. Operating Pressure		Min. Burst Pressure		Min. Bend Radius		Weight		Vacuum Service	
	DN	mm	in	mm	in	bar	psi	bar	psi	mm	in	kg/m	lbs/ft	kPa	in
FC800-12	16	16.4	0.65	27.2	1.07	35	500	140	2000	70	2.8	0.67	0.45	94,8	28
FC800-16	19	22.8	0.90	31.5	1.24	35	500	140	2000	80	3.2	0.71	0.48	94,8	28
FC800-20	25	28.3	1.15	38.6	1.52	35	500	140	2000	100	3.9	0.92	0.62	94,8	28
FC800-24	31	35.5	1.40	45.6	1.80	35	500	140	2000	160	6.3	1.16	0.78	94,8	28

Fitting reference

Field attachable – refer to section beginning on page 49

FC800 A/C – refer to page 62

Danfoss hose offerings

FC555



Danfoss A/C

Exceeds: SAE J3062 / J2064

Construction	Operating parameters	Benefits	Application
<p>Tube Corrugated nylon</p> <p>Reinforcement Textile braid</p> <p>Cover Polyester (PET)</p>	<p>-40 °C to +125 °C (-4 °F to +257 °F)</p> <p>Permeation rate <1,0 kg/m²/year (for R134a at 80 °C)</p> <p>Moisture ingress <0.039 g/cm²/year according to SAE J3062, Class 1</p> <p>Refrigerant use R-134a, R-12, R-22, R-502; additional refrigerants and refrigerant oils upon request</p>	<ul style="list-style-type: none"> • Optimum sealing at the hose/nipple interface • Polyester outer braid for higher abrasion resistance • Corrugated for increased flexibility 	<ul style="list-style-type: none"> • Metro, large bus, and rail

Part #	Hose I.D.			Hose O.D.		Max. Operating Pressure		Min. Burst Pressure		Min. Bend Radius		Weight		Vacuum Service	
	DN	mm	in	mm	in	bar	psi	bar	psi	mm	in	kg/m	lbs/ft	kPa	in
FC555-12	12	15.9	0.62	29,7	1.17	35	500	175	2500	63.5	2.5	0.30	2.40	94,8	10
FC555-16	16	22.2	0.88	35,6	1.40	35	500	175	2500	76.2	3.0	0.40	3.00	94,8	10
FC555-20	25	28.6	1.12	42,4	1.67	35	500	175	2500	101.6	4.0	0.49	0.33	94,8	10

Fitting reference

Factory Crimp ONLY– For more information, contact Danfoss Customer Service at +1 (952) 937-9800

Danfoss hose offerings



FC802

Danfoss A/C

Exceeds: SAE J3062 / J2064

Construction	Operating parameters	Benefits	Application
<p>Tube Nylon lined</p> <p>Reinforcement Textile braid</p> <p>Cover EPDM</p>	<p>-40 °C to +121 °C (-40 °F to +250 °F)</p> <p>Permeation rate 1.21 kg/m²/yr (for R134a at 80 °C)</p> <p>Moisture ingress <0.039 g/cm²/year according to SAE J3062, Class 1</p> <p>Refrigerant use R134a, R407C, R1234yf; additional refrigerants and refrigerant oils upon request</p>	<ul style="list-style-type: none"> FC802 exceeds the requirements of the SAE J3062 / J2064 Large selection of fitting configurations, using 100R5 field attachable 	<ul style="list-style-type: none"> Metro, large bus, and rail Overhead cranes and stationary equipment

Part #	Hose I.D.			Hose O.D.		Max. Operating Pressure		Min. Burst Pressure		Min. Bend Radius		Weight		Vacuum Service	
	DN	mm	in	mm	in	bar	psi	bar	psi	mm	in	kg/m	lbs/ft	kPa	in
FC802-04	4	5.10	0.20	13.2	0.52	35	500	175	2500	50.8	2.0	0.16	0.11	94,8	10
FC802-06	6	8.38	0.33	17.3	0.68	35	500	175	2500	63.5	2.5	0.24	0.16	94,8	10
FC802-08	8	10.67	0.42	19.6	0.77	35	500	175	2500	76.2	3.0	0.27	0.18	94,8	10
FC802-10	10	13.20	0.52	23.4	0.92	35	500	175	2500	88.9	3.5	0.42	0.28	94,8	10
FC802-12	12	16.51	0.65	27.4	1.08	35	500	175	2500	114.3	4.5	0.51	0.34	94,8	10

Fitting reference

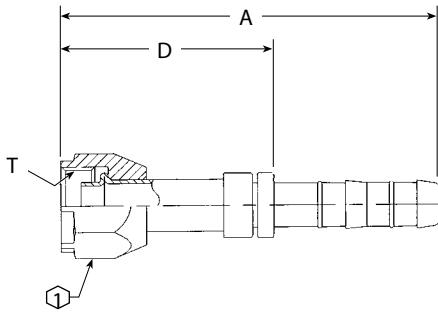
FC802 utilizes 100R5 field attachable fittings.

Fittings - Field attachable



EZ Clip System - GH001 fittings

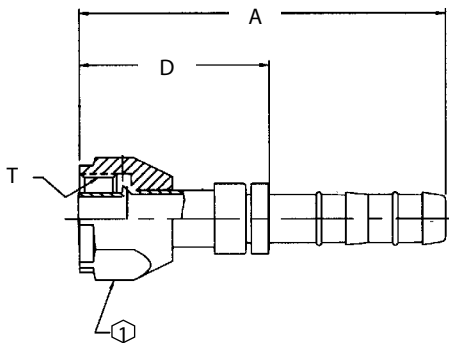
FJ5984



Straight – female O-ring (short pilot)

Part #	TH'D "T"	Hose Size	A Ref	D Ref	F Ref	H Ref	① Ref
FJ5984-0606S	5/8-18	6	3.14	1.62	—	—	0.75
FJ5984-0608S	5/8-18	8	3.16	1.62	—	—	0.75
FJ5984-0808S	3/4-16	8	3.56	2.02	—	—	0.88
FJ5984-0810S	3/4-16	10	3.57	2.02	—	—	0.88
FJ5984-1008S	7/8-14	8	3.62	2.08	—	—	0.88
FJ5984-1010S	7/8-14	10	3.63	2.08	—	—	1.06
FJ5984-1012S	7/8-14	12	3.66	2.08	—	—	1.06
FJ5984-1210S	1-1/16-14	10	4.25	2.62	—	—	1.25
FJ5984-1212S	1-1/16-14	12	4.25	2.67	—	—	1.25
FJ5984-1016S	7/8-14	16	3.76	2.08	—	—	1.06
FJ5984-1216S	1-1/16-14	16	4.35	2.67	—	—	1.25
FJ5984-0812S	3/4-16	12	3.45	2.07	—	—	0.88

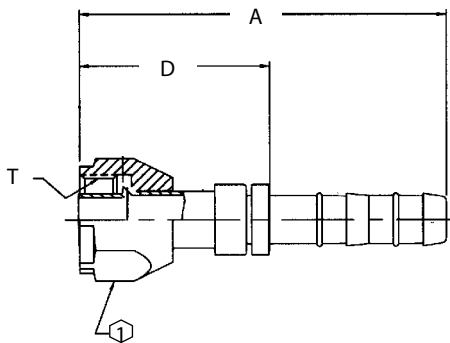
FJ3632 / EJ3111



Straight – female O-ring (long pilot)

Part #	TH'D "T"	Hose Size	A Ref	D Ref	F Ref	H Ref	① Ref
FJ3632-0606s	5/8-18	6	3.04	1.51	—	—	0.75
FJ3632-0806S	3/4-16	6	2.91	1.38	—	—	0.88
FJ3632-0608S	5/8-18	8	3.05	1.51	—	—	0.75
FJ3632-0808S	3/4-16	8	3.20	1.66	—	—	0.88
FJ3632-0810S	3/4-16	10	3.21	1.66	—	—	0.88
FJ3632-1010S	7/8-14	10	3.63	2.08	—	—	1.06
FJ3632-1012S	7/8-14	12	3.66	2.08	—	—	1.06
FJ3632-1212S	1 1/16-14	12	4.25	2.67	—	—	1.25
EJ3111-1216S	1 1/16-14	16	4.35	2.67	—	—	1.25

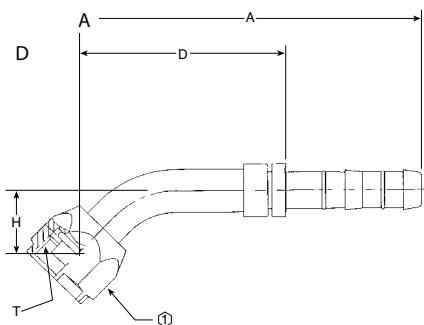
FJ3408



Straight – female O-ring, metric thread (long pilot)

Part #	TH'D "T"	Hose Size	A Ref	D Ref	F Ref	H Ref	① Ref
FJ3408-0808S	M20 x 1.5	8	3.20	1.66	—	—	0.94
FJ3408-0810S	M20 x 1.5	10	3.21	1.66	—	—	0.94
FJ3408-1212S	M27 x 2	12	4.25	2.67	—	—	1.25
FJ3408-1210S	M27 x 2	10	4.25	2.67	—	—	1.25

FJ3055

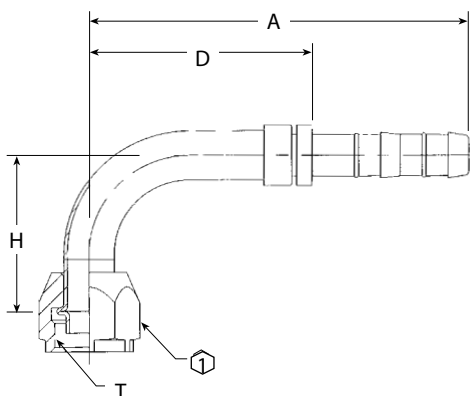


45° elbow - female O-ring (short pilot)

Part #	TH'D "T"	Hose Size	A Ref	D Ref	F Ref	H Ref	① Ref
FJ3055-01-0606S	5/8-18	6	3.60	2.08	—	0.67	0.75
FJ3055-02-0608S	5/8-18	8	3.62	2.08	—	0.67	0.75
FJ3055-03-0808S	3/4-16	8	3.94	2.40	—	0.73	0.88
FJ3055-04-0810S	3/4-16	10	3.95	2.40	—	0.73	0.88
FJ3055-05-1010S	7/8-14	10	4.37	2.81	—	1.19	1.06
FJ3055-06-1012S	7/8-14	12	4.46	2.88	—	1.25	1.06
FJ3055-07-1212S	1-1/16-14	12	5.33	3.75	—	1.47	1.25
FJ3055-09-1216S	1-1/16-14	16	5.43	3.15	—	1.47	1.25
FJ3055-08-1016S	7/8-14	16	4.56	2.66	—	1.25	1.06

EZ Clip System - GH001 fittings

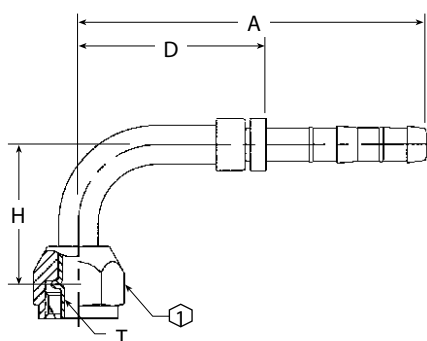
FJ5985



90° elbow – female O-ring (short pilot)

Part #	TH'D "T"	Hose Size	A Ref	D Ref	F Ref	H Ref	① Ref
FJ5985-0606S	5/8-18	6	3.32	1.79	—	1.38	0.75
FJ5985-0608S	5/8-18	8	3.33	1.79	—	1.38	0.75
FJ5985-0806S	3/4-16	6	3.86	2.33	—	1.62	0.88
FJ5985-0808S	3/4-16	8	3.77	2.23	—	1.62	0.88
FJ5985-0810S	3/4-16	10	3.78	2.23	—	1.62	0.88
FJ5985-1010S	7/8-14	10	4.22	2.67	—	1.89	1.06
FJ5985-1012S	7/8-14	12	4.24	2.67	—	1.89	1.06
FJ5985-1210S	1-1/16-14	10	4.76	3.31	—	2.56	1.25
FJ5985-1212S	1-1/16-14	12	4.74	3.16	—	2.56	1.25
FJ5985-1216S	1-1/16-14	16	4.84	3.16	—	2.56	1.25
FJ5985-0812S	3/4-16	12	3.86	2.29	—	1.62	0.88
FJ5985-1216S	2/8-14	16	4.46	2.78	—	1.89	1.06

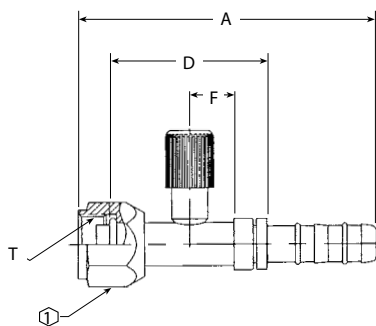
FJ3288



90° elbow – female O-ring (long pilot)

Part #	TH'D "T"	Hose Size	A Ref	D Ref	F Ref	H Ref	① Ref
FJ3288-01-0606S	5/8-18	6	3.32	1.79	—	1.38	0.75
FJ3288-02-0808S	3/4-16	8	3.77	2.23	—	1.62	0.88
FJ3288-03-0806S	3/4-16	6	3.75	2.33	—	1.62	0.88
FJ3288-04-0810S	3/4-16	10	3.78	2.23	—	1.62	0.88
FJ3288-06-1216S	1-1/16-14	16	4.84	3.16	—	2.56	1.25
FJ3288-05-1016S	7/8-14	16	4.40	2.72	—	1.89	1.06
FJ3288-07-1012S	7/8-14	12	4.24	2.67	—	1.89	1.06
FJ3288-08-1212S	1-1/16-14	12	4.74	3.16	—	2.56	1.25
FJ3288-11-1010S	7/8-14	16	4.22	2.67	—	1.89	1.06

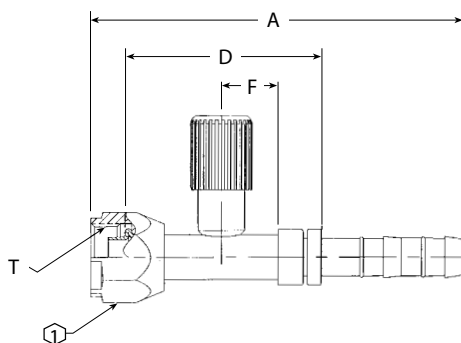
FJ3054



Straight – female O-ring (short pilot) with R134a low side port

Part #	TH'D "T"	Hose Size	A Ref	D Ref	F Ref	H Ref	① Ref
FJ3054-1010S	7/8-14	10	4.24	2.25	0.63	—	1.06
FJ3054-1012S	7/8-14	12	4.27	2.25	0.63	—	1.06
FJ3054-1212S	1-1/16-14	12	4.58	2.43	0.54	—	1.25
FJ3054-1216S	1-1/16-14	16	4.68	2.43	0.54	—	1.25

FJ3053

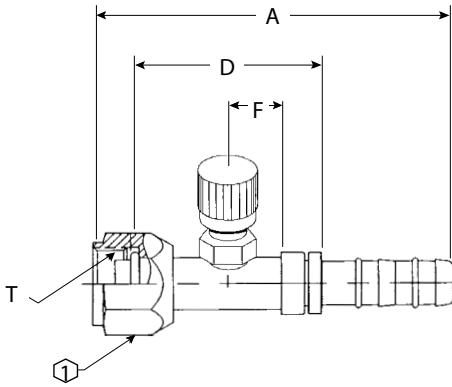


Straight – female O-ring (short pilot) with R134a high side port

Part #	TH'D "T"	Hose Size	A Ref	D Ref	F Ref	H Ref	① Ref
FJ3053-0606S	5/8-18	6	3.91	2.10	0.63	—	0.75
FJ3053-0806S	3/4-16	6	4.06	2.26	0.63	—	0.88
FJ3053-0808S	3/4-16	8	4.09	2.16	0.63	—	0.88
FJ3053-0810S	3/4-16	10	4.09	2.16	0.63	—	0.88

EZ Clip System - GH001 fittings

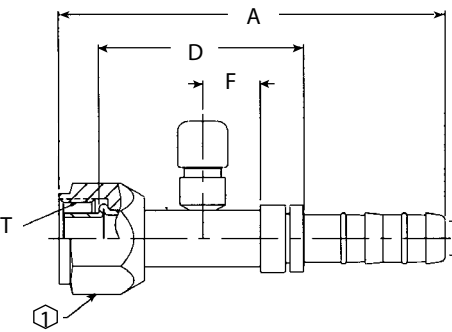
FJ3162



Straight – female O-ring (long pilot) with switch port (7/16-20 thd)

Part #	TH'D "T"	Hose Size	A Ref	D Ref	F Ref	H Ref	⊕ Ref
FJ3162-0808S	3/4-16	8	4.09	2.16	0.79	—	0.88
FJ3162-1010S	7/8-14	10	4.25	2.25	0.79	—	1.06
FJ3162-1012S	7/8-14	12	4.27	2.25	0.79	—	1.06
FJ3162-1212S	1-1/16-14	12	4.86	2.71	0.79	—	1.25
FJ3162-1016S	7/8-14	16	4.42	2.30	0.79	—	1.06

FJ3416

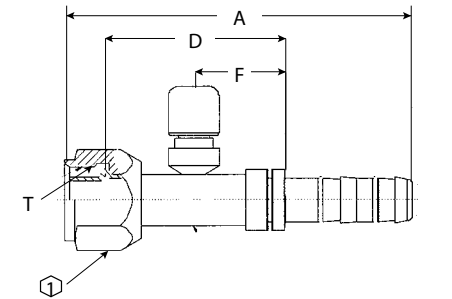


Straight – female O-ring (long pilot) with switch port (M10 X 1.25)

Part #	TH'D "T"	Hose Size	A Ref	D Ref	F Ref	H Ref	⊕ Ref
FJ3416-01-1010S	7/8-14	10	4.25	2.25	0.63	—	1.06
FJ3416-02-0808S*	7/8-14	8	4.25	2.25	0.63	—	1.06

* MTO (made to order)

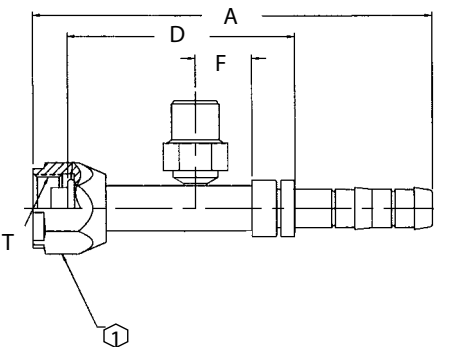
FJ3461



Straight – female O-ring (long pilot) with switch port (M12 X 1.25)

Part #	TH'D "T"	Hose Size	A Ref	D Ref	F Ref	H Ref	⊕ Ref
FJ3461-01-1010S	7/8-14	10	4.25	2.25	0.63	—	1.06
FJ3461-02-1012S	7/8-14	12	4.27	2.25	0.63	—	1.06
FJ3461-03-1212S	1-1/16-14	12	4.86	2.71	0.54	—	1.25

EJ3299

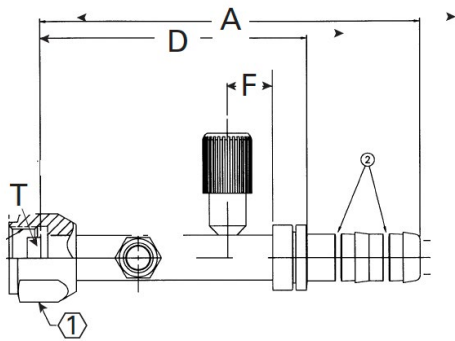


Straight - female O-ring (short pilot) with switch port (M12 X 1.25)

Part #	TH'D "T"	Hose Size	A Ref	D Ref	F Ref	H Ref	⊕ Ref
EJ3299-01-0808S	3/4-16	8	4.46	2.53	0.63	—	0.88

EZ Clip System - GH001 fittings

FJ3363

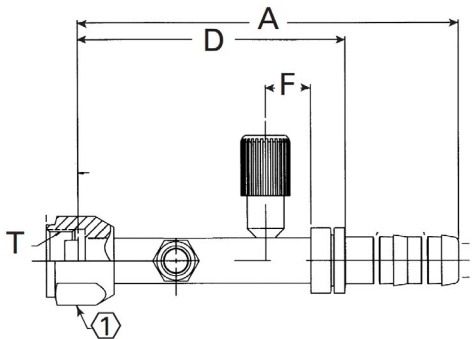


Straight – female O-ring (short pilot), with R134a high side port and female switch connection (1/8-27 thd)

Part #	TH'D "T"	Hose Size	A Ref	D Ref	F Ref	H Ref	① Ref
FJ3363-03-0808S*	3/4-16	8	5.16	3.62	0.63	—	0.88
FJ3363-02-0810S*	3/4-16	10	5.54	3.62	0.63	—	0.88

* MTO (made to order)

FJ3363

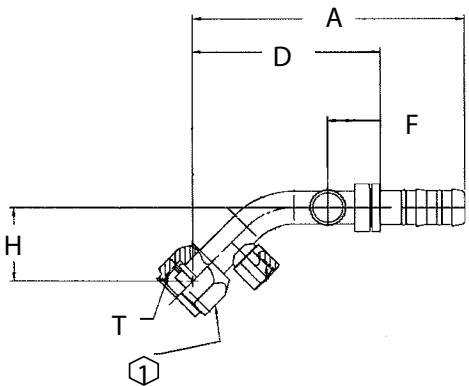


Straight – female O-ring (short pilot), with R134a low side port and female switch connection (1/8-27 thd)

Part #	TH'D "T"	Hose Size	A Ref	D Ref	F Ref	H Ref	① Ref
FJ3363-01-1012S*	7/8-14	12	5.30	3.72	0.63	—	1.06

* MTO (made to order)

FJ3365

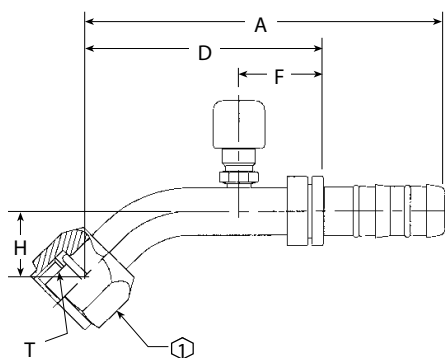


45° elbow – female O-ring (short pilot) with R134a low side port and switch port (1/8-27 thd)

Part #	TH'D "T"	Hose Size	A Ref	D Ref	F Ref	H Ref	① Ref
FJ3365-01-1012S*	7/8-14	12	5.09	3.51	0.50	1.43	1.13

* MTO (made to order)

FJ3230

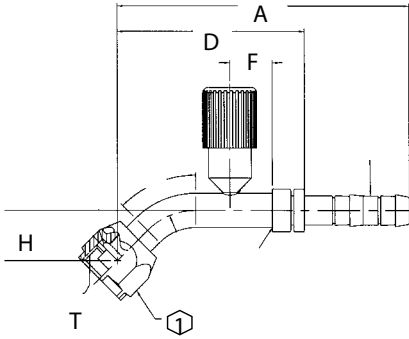


45° elbow – female O-ring (long pilot) with switch port (7/16-20 thd)

Part #	TH'D "T"	Hose Size	A Ref	D Ref	F Ref	H Ref	① Ref
FJ3230-01-0810S	3/4-16	10	4.61	2.58	0.63	0.80	0.88
FJ3230-02-1012S	7/8-14	12	4.73	2.67	0.63	0.89	1.06
FJ3230-03-0808S	3/4-16	8	4.43	2.40	0.63	0.73	0.88
FJ3230-04-1010S	7/8-14	10	5.00	2.97	0.63	1.19	1.06
FJ3230-05-1016S	7/8-14	16	4.88	2.67	0.63	0.89	1.06

EZ Clip System - GH001 fittings

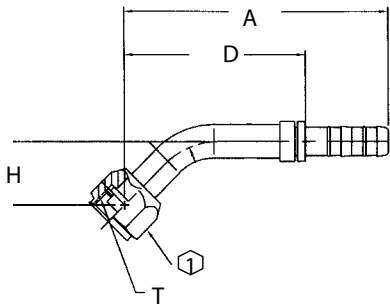
EJ3410



45° elbow – female O-ring (short pilot) with R134a high side port

Part #	TH'D "T"	Hose Size	A Ref	D Ref	F Ref	H Ref	① Ref
EJ3410-0808S	3/4-16	8	4.3	2.76	0.62	0.73	0.88

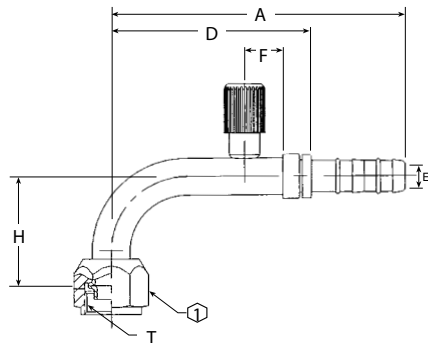
EJ3543



45° elbow – female O-ring (short pilot) with R134a low side port (rotated 270°)

Part #	TH'D "T"	Hose Size	A Ref	D Ref	F Ref	H Ref	① Ref
EJ3543-1010S	7/8-14	10	4.99	3.44	0.52	1.19	1.06

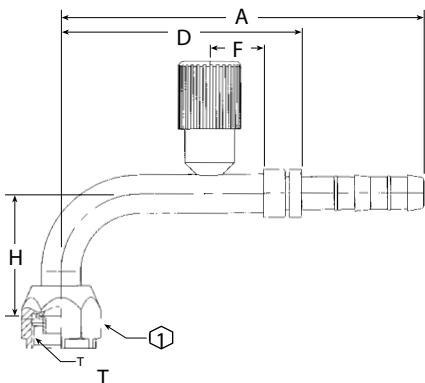
FJ3012



90° elbow – female O-ring (short pilot) with R134a low side port

Part #	TH'D "T"	Hose Size	A Ref	D Ref	F Ref	H Ref	① Ref
FJ3012-02-1010S	7/8-14	10	4.88	3.33	0.63	1.89	1.06
FJ3012-01-1012S	7/8-14	12	4.83	3.25	0.63	1.89	1.06
FJ3012-03-1212S	1-1/16-14	12	5.10	3.52	0.63	2.56	1.25

FJ3013 / EJ3302

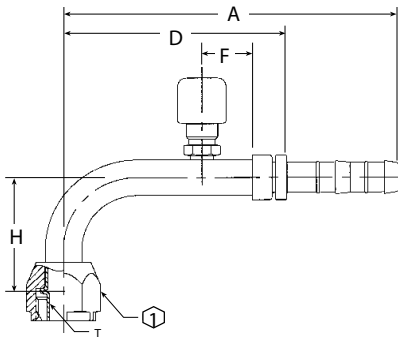


90° elbow – female O-ring (short pilot) with R134a high side port

Part #	TH'D "T"	Hose Size	A Ref	D Ref	F Ref	H Ref	① Ref
FJ3013-02-0606S	5/8-18	6	4.35	2.82	0.63	1.38	0.75
FJ3013-03-0808S	3/4-16	8	4.61	3.07	0.69	1.62	0.88
FJ3013-01-0810S	3/4-16	10	4.53	2.98	0.69	1.62	0.88
EJ3302-01-0608S	M18x1.5	8	4.36	2.82	0.94	1.38	0.88
EJ3302-01-0808S	M20x1.5	8	4.52	2.98	0.69	1.62	0.94

EZ Clip System - GH001 fittings

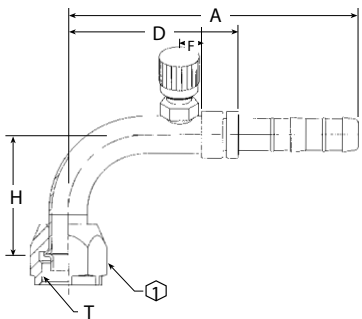
FJ3289



90° elbow – female O-ring (long pilot) with switch port (7/16-20 thd)

Part #	TH'D "T"	Hose Size	A Ref	D Ref	F Ref	H Ref	① Ref
FJ3289-01-0808S	3/4-16	8	4.61	2.59	0.69	1.62	0.88
FJ3289-02-1010S	7/8-14	10	4.80	2.77	0.63	1.93	1.06
FJ3289-03-0606S	5/8-18	6	4.35	2.82	0.69	1.35	0.75
FJ3289-04-0810S	3/4-16	10	4.62	2.59	0.69	1.62	0.88
FJ3289-05-1012S	7/8-14	12	4.82	2.77	0.63	1.93	1.06

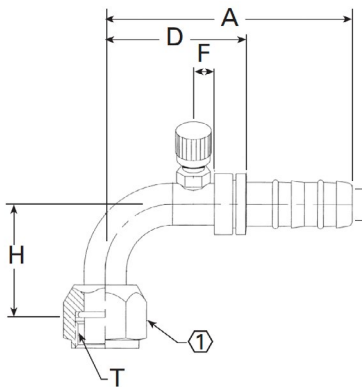
FJ3163



90° elbow – female O-ring (short pilot) with switch port (7/16-20 thd)

Part #	TH'D "T"	Hose Size	A Ref	D Ref	F Ref	H Ref	① Ref
FJ3163-01-1010S	7/8-14	10	4.80	3.25	0.79	1.89	1.06
FJ3163-02-1212S	1-1/16-14	12	5.08	3.50	0.79	2.56	1.25

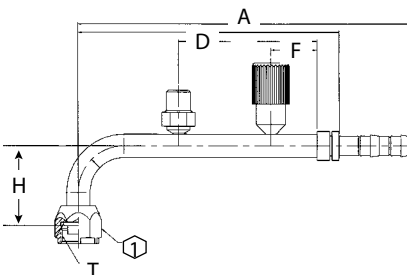
FJ3047



90° elbow – female O-ring (long pilot) with charge port (7/16-20 thd) – 45° port rotation

Part #	TH'D "T"	Hose Size	A Ref	D Ref	F Ref	H Ref	① Ref
FJ3047-1012S	7/8-14	12	4.06	2.48	0.50	1.69	1.06
FJ3047-1016S	7/8-14	16	4.21	2.53	0.50	1.69	1.06

EJ3298

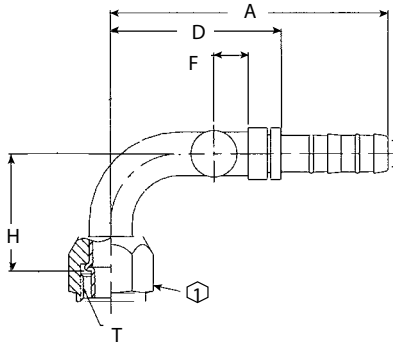


90° elbow – female O-ring (short pilot) with R134a high side port and a switch port

Part #	TH'D "T"	Hose Size	A Ref	D Ref	F Ref	H Ref	① Ref
EJ3298-01-0808S	3/4-16	8	7.22	5.67	1.00	1.71	0.88

EZ Clip System - GH001 fittings

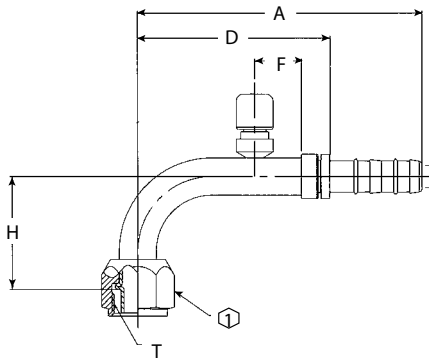
FJ3444



90° elbow – female O-ring (long pilot) with switch port (7/16-20 thd) – 90° port rotation

Part #	TH'D "T"	Hose Size	A Ref	D Ref	F Ref	H Ref	① Ref
FJ3444-1010S	7/8-14	10	4.03	2.48	0.50	1.69	1.06

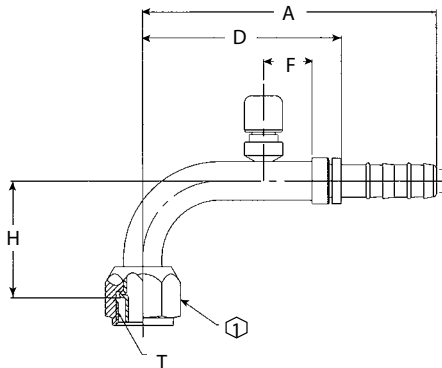
FJ3460



90° elbow – female O-ring (long pilot) with switch port (M12 X 1.25)

Part #	TH'D "T"	Hose Size	A Ref	D Ref	F Ref	H Ref	① Ref
FJ3460-01-1010S	7/8-14	10	4.80	3.25	0.79	1.89	1.06
FJ3460-02-1012S	7/8-14	12	4.83	3.25	0.79	1.89	1.06
FJ3460-03-1212S	1-1/16-14	12	5.08	3.50	0.54	2.56	1.25

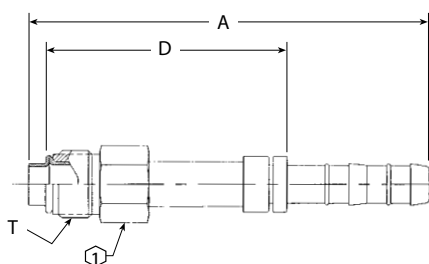
EJ3297



90° elbow – female O-ring (short pilot) with switch port (M12 X 1.25)

Part #	TH'D "T"	Hose Size	A Ref	D Ref	F Ref	H Ref	① Ref
EJ3297-01-0808S	3/4-16	8	4.16	2.62	0.87	1.68	0.88

FJ3052

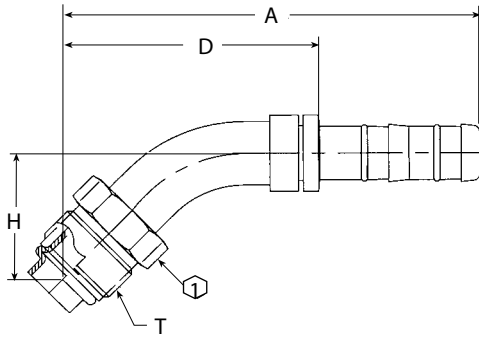


Straight – male O-ring (short pilot)

Part #	TH'D "T"	Hose Size	A Ref	D Ref	F Ref	H Ref	① Ref
FJ3052-0606S	5/8-18	6	3.41	1.70	—	—	0.62
FJ3052-0608S	5/8-18	8	3.43	1.70	—	—	0.62
FJ3052-0808S	3/4-18	8	4.37	2.64	—	—	0.75
FJ3052-1010S	7/8-18	10	3.66	1.92	—	—	0.88
FJ3052-1012S	7/8-18	12	3.68	1.92	—	—	0.88
FJ3052-1212S	1-1/16-16	12	3.68	1.92	—	—	1.06
FJ3052-1016S	7/8-18	16	4.33	2.47	—	—	0.88
FJ3052-1216S	1 1/16 -16	16	4.28	2.42	—	—	1.06
FJ3052-1210S	1 1/16 -16	10	3.68	1.92	—	—	1.06

EZ Clip System - GH001 fittings

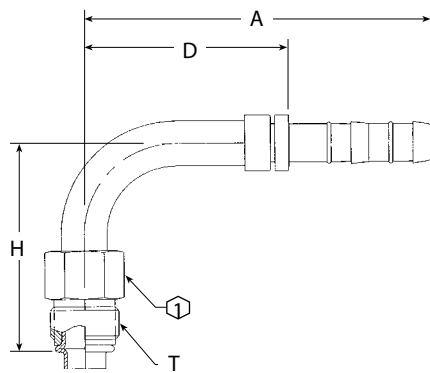
FJ3116



45° elbow – male O-ring (short pilot)

Part #	TH'D "T"	Hose Size	A Ref	D Ref	F Ref	H Ref	① Ref
FJ3116-01-0606S	5/8-18	6	3.99	2.47	—	0.94	0.62
FJ3116-03-0808S	3/4-18	8	4.59	2.83	—	1.20	0.75
FJ3116-02-1010S	7/8-18	10	4.65	3.10	—	1.46	0.88
FJ3116-04-0608S	5/8-18	8	4.01	2.47	—	0.94	0.62
FJ3116-05-1012S	7/8-18	12	4.68	3.10	—	1.47	0.88
FJ3116-06-1212S	1 1/16-16	12	4.90	3.32	—	1.53	1.06
FJ3116-08-1016S	7/8-18	16	4.78	3.10	—	1.47	0.88

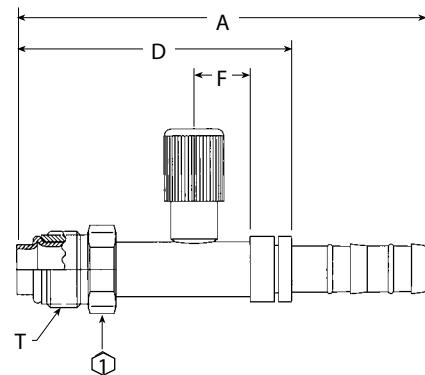
FJ3019



90° elbow – male O-ring (short pilot)

Part #	TH'D "T"	Hose Size	A Ref	D Ref	F Ref	H Ref	① Ref
FJ3019-03-0606S	5/8-18	6	3.33	1.80	—	1.77	0.62
FJ3019-02-0608S	5/8-18	8	3.34	1.80	—	1.77	0.62
FJ3019-04-0808S	3/4-18	8	3.77	2.23	—	2.31	0.75
FJ3019-06-0810S	3/4-18	10	3.78	2.23	—	2.31	0.75
FJ3019-01-1012S	7/8-18	12	4.24	2.67	—	2.45	0.88
FJ3019-05-1212S	1-1/16-16	12	4.22	2.64	—	2.79	1.06
FJ3019-07-1010S	7/8-18	10	4.22	2.67	—	2.45	0.88
FJ3019-08-1210S	1-1/16-16	10	4.19	2.64	—	2.79	1.06
FJ3019-10-1016S	7/8-18	16	4.20	3.03	—	2.45	0.88

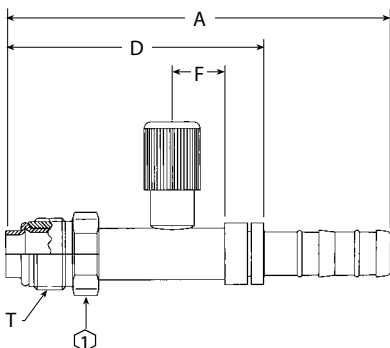
FJ3132



Straight – male O-ring (short pilot) with R134a low side port

Part #	TH'D "T"	Hose Size	A Ref	D Ref	F Ref	H Ref	① Ref
FJ3132-01-1010S	7/8-18	10	4.43	2.70	0.63	—	0.88
FJ3132-02-1012S	7/8-18	12	4.46	2.70	0.63	—	0.88

FJ3131

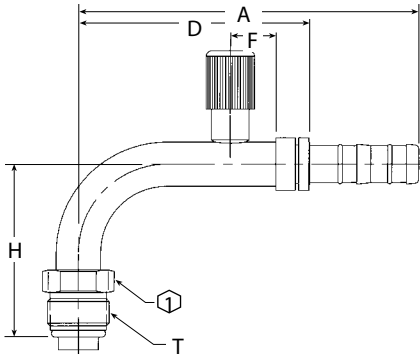


Straight – male O-ring (short pilot) with R134a high side port

Part #	TH'D "T"	Hose Size	A Ref	D Ref	F Ref	H Ref	① Ref
FJ3131-01-0606S	5/8-18	6	4.18	2.47	0.63	—	0.62
FJ3131-02-0808S	3/4-18	8	4.58	2.85	0.63	—	0.75
FJ3131-03-1010S	7/8-18	10	4.34	2.61	0.63	—	0.88

EZ Clip System - GH001 fittings

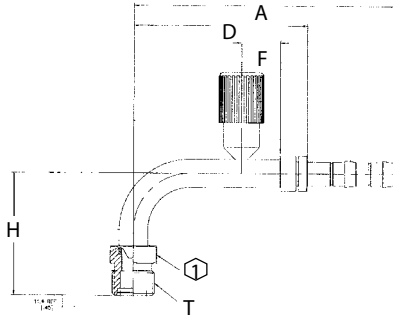
FJ3134



90° elbow – male O-ring (short pilot) with R134a high side port

Part #	TH'D "T"	Hose Size	A Ref	D Ref	F Ref	H Ref	① Ref
FJ3134-01-0606S	5/8-18	6	4.34	2.82	0.63	1.75	0.62
FJ3134-02-0808S	3/4-18	8	4.61	3.07	0.63	2.31	0.75
FJ3134-03-1010S	7/8-18	10	4.81	3.25	0.63	2.34	0.88

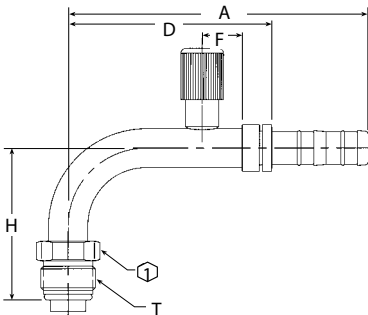
FJ3611



90° elbow – male MIO with R134a high side port

Part #	TH'D "T"	Hose Size	A Ref	D Ref	F Ref	H Ref	① Ref
FJ3611-01-0808S	3/4-16	8	4.61	3.07	0.69	2.17	0.813

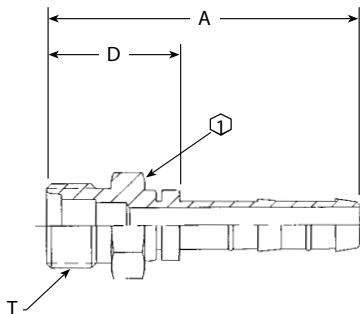
FJ3135



90° elbow – male O-ring (short pilot) with R134a low side port

Part #	TH'D "T"	Hose Size	A Ref	D Ref	F Ref	H Ref	① Ref
FJ3135-01-1010S	7/8-18	10	4.81	3.25	0.63	2.34	0.88
FJ3135-02-1012S	7/8-18	12	4.81	3.25	0.63	2.34	0.88

FJ3026

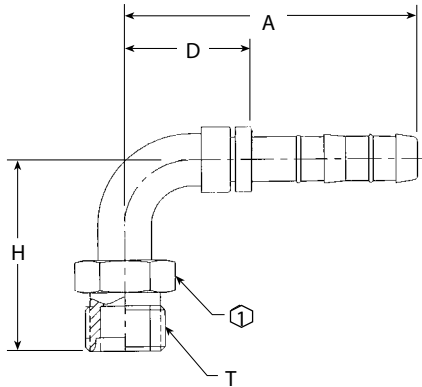


Straight – male MIO (male insert O-ring)

Part #	TH'D "T"	Hose Size	A Ref	D Ref	F Ref	H Ref	① Ref
FJ3026-0606S	5/8-18	6	3.36	1.83	—	—	0.690
FJ3026-0808S	3/4-16	8	2.69	1.15	—	—	0.810
FJ3026-1010S	7/8-14	10	2.90	1.35	—	—	0.940
FJ3026-1012S	7/8-14	12	4.11	2.50	—	—	0.940
FJ3026-1212S	1-1/16-14	12	4.29	2.71	—	—	1.125

EZ Clip System - GH001 fittings

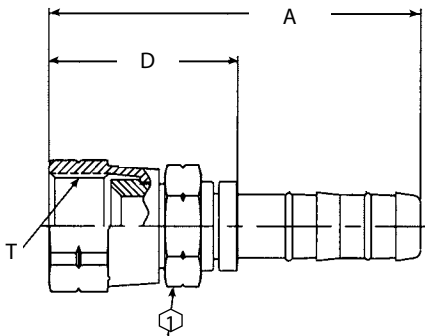
FJ3056



90° elbow – male MIO (male insert O-ring)

Part #	TH'D "T"	Hose Size	A Ref	D Ref	F Ref	H Ref	① Ref
FJ3056-01-0606S	5/8-18	6	2.50	0.98	—	1.44	0.69
FJ3056-02-0808S	3/4-16	8	2.74	1.20	—	1.82	0.81
FJ3056-03-1010S	7/8-14	10	3.09	1.54	—	2.13	0.94
FJ3056-04-0810S	3/4-16	10	2.75	1.20	—	1.82	0.81
FJ3056-05-0608S	5/8-18	8	2.52	0.98	—	1.44	0.69

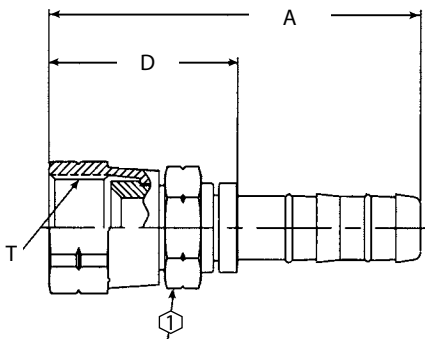
FJ3057



45° elbow – female SAE flares

Part #	TH'D "T"	Hose Size	A Ref	D Ref	F Ref	H Ref	① Ref
FJ3057-01-0606S	5/8-18	6	2.88	1.35	—	—	0.56
FJ3057-02-0608S	5/8-18	8	3.14	1.62	—	—	0.75
FJ3057-03-0808S	3/4-16	8	2.96	1.42	—	—	0.69
FJ3057-04-0810S	3/4-16	10	3.56	2.02	—	—	0.88
FJ3057-05-1010S	7/8-14	10	3.63	2.08	—	—	1.00
FJ3057-06-1012S	7/8-14	12	3.66	2.08	—	—	1.00
FJ3057-07-1212S	1-1/16-14	12	3.20	1.62	—	—	1.25
FJ3057-08-0806S	3/4-16	8	2.96	1.42	—	—	0.69

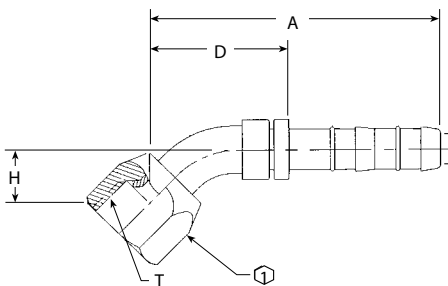
FJ3731



Straight – female 37° flares

Part #	TH'D "T"	Hose Size	A Ref	D Ref	F Ref	H Ref	① Ref
FJ3731-1010S	7/8-14	10	4.21	2.66	—	—	1.00
FJ3731-0606S	9/16-18	6	3.66	2.13	—	—	0.68
FJ3731-0808S	3/4-16	8	4.35	2.81	—	—	0.88
FJ3731-1212S	1-1/16-12	12	4.62	3.04	—	—	1.25
FJ3731-1616S	1-5/16-12	16	5.99	4.31	—	—	1.50
FJ3731-0404S	7/16-20	4	2.75	2.08	—	—	0.56

EJ3534

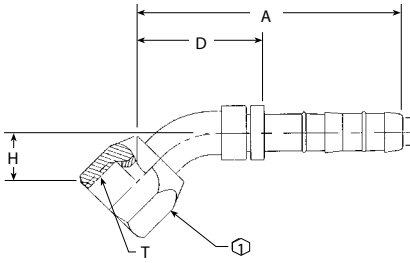


45° elbow – female JIC 37° flare

Part #	TH'D "T"	Hose Size	A Ref	D Ref	F Ref	H Ref	① Ref
EJ3534-02-0606S	9/16-18	6	3.31	1.79	—	0.74	1.00
EJ3534-03-0608S	9/16-18	8	3.76	3.22	—	1.10	0.68
EJ3534-04-0808S	3/4-16	8	4.04	2.49	—	1.10	0.88
EJ3534-05-1010S	7/8-14	10	4.21	2.66	—	1.27	1.25
EJ3534-06-1212S	1-1/16-12	12	4.30	2.73	—	1.33	1.50
EJ3534-07-1616S	1-5/16-12	16	5.46	3.79	—	1.92	1.50
EJ3534-01-0404S	7/16-20	4	2.37	1.70	—	0.63	0.56

EZ Clip System - GH001 fittings

FJ3059



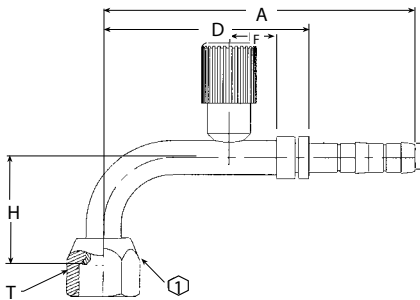
45° elbow – female SAE 45° and universal flares

Part #	TH'D "T"	Hose Size	A Ref	D Ref	F Ref	H Ref	① Ref
FJ3059-01-0606S †	5/8-18	6	2.61	1.08	—	0.39	0.75
FJ3059-02-0608S †	5/8-18	8	2.62	1.08	—	0.39	0.75
FJ3059-03-0808S*	3/4-16	8	2.97	1.43	—	0.55	0.88
FJ3059-04-0810S*	3/4-16	10	2.98	1.43	—	0.55	0.88
FJ3059-05-1010S*	7/8-14	10	3.08	1.53	—	0.63	1.00
FJ3059-06-1012S*	7/8-14	12	3.11	1.53	—	0.63	1.00

† Double notch in nut for universal type identification

* Universal flare

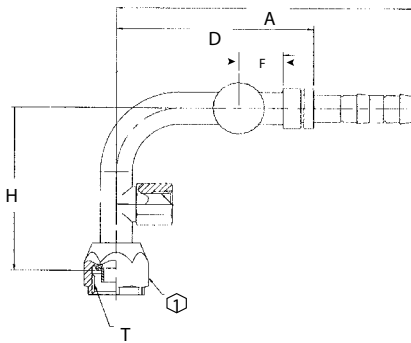
FJ3133



90° elbow – female SAE 45° with high side charge port (R134a)

Part #	TH'D "T"	Hose Size	A Ref	D Ref	F Ref	H Ref	① Ref
FJ3133-01-0606S	5/8-18	6	4.35	2.82	0.63	1.28	0.75
FJ3133-02-0808S	3/4-16	8	4.61	3.07	0.63	1.53	0.88
FJ3133-03-1010S	7/8-14	10	4.80	3.25	0.63	1.84	0.88

FJ3366

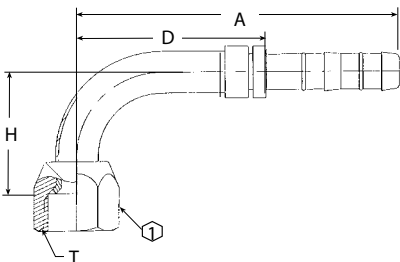


90° elbow – female SAE with R134a C/Port and switch port (1/8-27 thread)

Part #	TH'D "T"	Hose Size	A Ref	D Ref	F Ref	H Ref	① Ref
FJ3366-01-0810S*	3/4-16	10	4.62	3.07	0.69	2.53	0.875
FJ3366-02-0808S*	3/4-16	8	4.61	3.07	0.69	2.53	0.875

* MTO (made to order)

FJ3149



90° elbow – female SAE 45° and universal flares

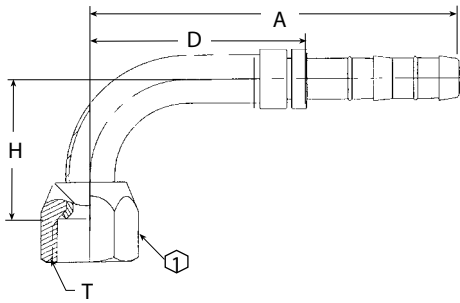
Part #	TH'D "T"	Hose Size	A Ref	D Ref	F Ref	H Ref	① Ref
FJ3149-01-0606S†	5/8-18	6	2.51	0.98	—	0.85	0.75
FJ3149-02-0608S†	5/8-18	8	2.52	0.98	—	0.85	0.75
FJ3149-03-0808S*	3/4-16	8	2.74	1.20	—	1.09	0.88
FJ3149-04-1010S*	7/8-14	10	3.09	1.54	—	1.19	1.00
FJ3149-05-1012S*	7/8-14	12	3.09	1.54	—	1.19	1.00
FJ3149-06-1212S†	1-1/16-14	12	3.68	2.11	—	1.80	1.25
FJ3149-07-0810S*	3/4-16	10	2.75	1.20	—	1.09	0.88
FJ3149-07-0806S*	3/4-16	8	2.83	1.30	—	1.09	0.88

† Double notch in nut for universal type identification

* Universal flare

EZ Clip System - GH001 fittings

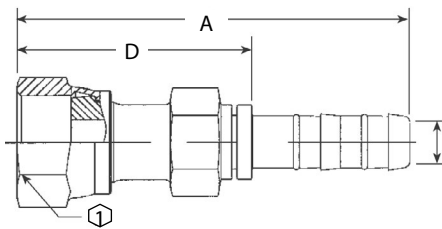
EJ3533



90° elbow – female JIC 37° flare

Part #	TH'D "T"	Hose Size	A Ref	D Ref	F Ref	H Ref	① Ref
EJ3533-02-0606S	9/16-18	6	3.27	1.74	—	1.69	0.69
EJ3533-03-0608S	9/16-18	8	3.28	1.74	—	1.69	0.69
EJ3533-04-0808S	3/4-16	8	3.14	1.60	—	1.77	0.88
EJ3533-05-1010S	7/8-14	10	3.78	2.23	—	2.59	1.00
EJ3533-06-1212S	1 1/16-12	12	4.11	2.53	—	3.02	1.25
EJ3533-07-1616S	1 5/16-12	16	5.16	3.48	—	3.86	1.50
EJ3533-01-0404S	7/16-20	4	2.09	1.42	—	1.21	0.56

GA23911

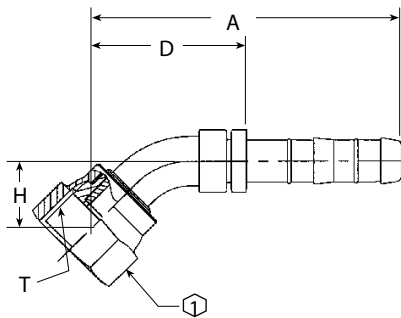


Straight – ORS female swivel metric hex nut

Part #	TH'D "T"	Hose Size	A Ref	D Ref	F Ref	H Ref	① Ref
GA23911-6-6*	1-1/16-16	6	2.95	1.43	—	—	22mm
GA23911-8-8*	1-3/16-16	8	3.17	1.62	—	—	24mm
GA23911-10-12*	1-14	12	3.32	1.74	—	—	30mm
GA23911-10-10*	1-14	10	3.33	1.78	—	—	30mm
GA23911-12-12*	1-3/16-12	12	3.32	1.52	—	—	41mm
GA23911-16-16*	17/16-12	16	3.32	1.52	—	—	41mm
GA23911-8-6*	1-3/16-16	6	3.15	1.63	—	—	24mm

*GA part numbers have a metric hex

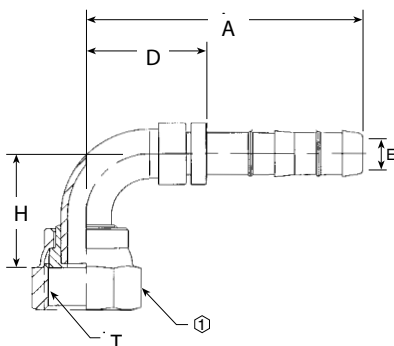
FJ3161 / GA23912



45° elbow – ORS female swivel

Part #	TH'D "T"	Hose Size	A Ref	D Ref	F Ref	H Ref	① Ref
FJ3161-01-0606S	11/16-16	6	2.65	1.12	—	0.44	0.81
FJ3161-02-0808S	13/16-16	8	3.02	1.47	—	0.59	0.94
FJ3161-03-1010S	1-14	10	3.22	1.67	—	0.70	1.13
FJ3161-04-1008S	1-14	8	3.32	1.78	—	0.70	1.13
FJ3161-08-0810S	13/16-16	10	3.02	1.47	—	0.59	0.94
GA23912-10-8	1-14	8	3.50	1.96	—	0.68	30mm
GA23912-10-10	1-14	10	3.76	2.21	—	0.68	30mm
GA23912-12-12	1 3/16-12	12	4.23	2.65	—	0.83	36mm
GA23912-16-16	1 7/16-12	16	4.62	2.94	—	0.78	41mm

FJ5994 / GA23913



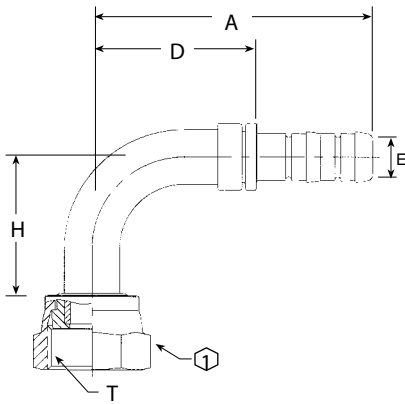
90° elbow – ORS female swivel

Part #	TH'D "T"	Hose Size	A Ref	D Ref	F Ref	H Ref	① Ref
FJ5994-01-0606S	1 1/16-16	6	2.50	0.98	—	0.91	0.81
FJ5994-05-0406S	16-09-2018	6	2.44	0.92	—	0.82	0.69
FJ5994-07-0806S	13/16-16	6	2.66	1.10	—	1.15	0.94
FJ5994-02-0808S	13/16-16	8	2.74	1.20	—	1.15	0.94
FJ5994-11-0810S	13/16-16	10	2.75	1.20	—	1.15	0.94
FJ5994-04-1010S	1-14	10	3.09	1.53	—	1.27	1.12
FJ5994-05-1012S	1-14	12	3.11	1.53	—	1.78	1.13
FJ5994-03-1212S	1 3/16-12	12	3.36	1.78	—	1.90	1.38
FJ5994-09-1016S	1-14	16	3.30	1.62	—	1.78	1.125
FJ5994-08-1216S	1 3/16-12	16	3.46	1.78	—	1.90	1.38
FJ5994-10-1616S	1 7/16-12	16	3.71	2.04	—	2.22	1.625
GA23913-10-12*	1-14	12	3.67	2.10	—	1.54	1.18

*GA part numbers have a metric hex

EZ Clip System - GH001 fittings

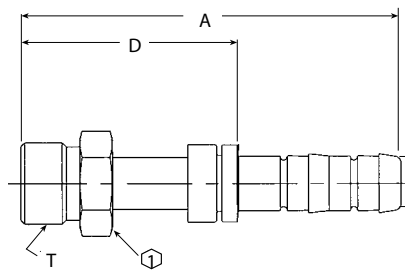
FJ3319



90° elbow – ORS female swivel (long drop)

Part #	TH'D "T"	Hose Size	A Ref	D Ref	F Ref	H Ref	① Ref
FJ3319-1212S	1-3/16-12	12	3.82	2.24	—	2.38	1.13

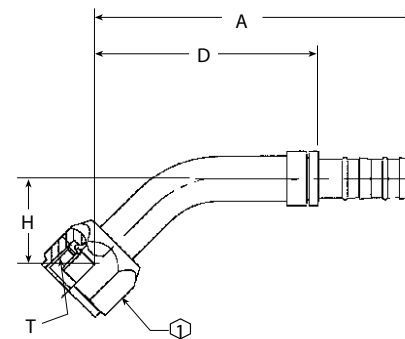
FJ3136



Straight – male O-ring (rigid) metric thread

Part #	TH'D "T"	Hose Size	A Ref	D Ref	F Ref	H Ref	① Ref
FJ3136-0810S	M20 x 1.5	10	3.62	2.07	0.69	—	0.88

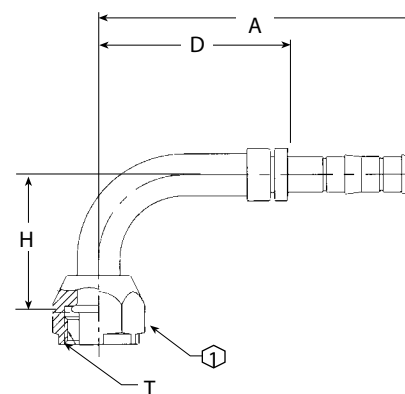
FJ3192



45° elbow – female O-ring (long pilot) metric thread

Part #	TH'D "T"	Hose Size	A Ref	D Ref	F Ref	H Ref	① Ref
FJ3192-02-1212S	M27x2	12	4.74	3.17	—	1.47	1.25

FJ3111 / FJ3409



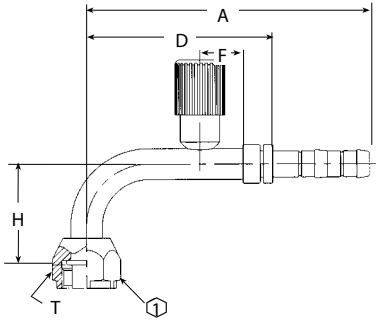
90° elbow – female O-ring (long pilot) metric thread

Part #	TH'D "T"	Hose Size	A Ref	D Ref	F Ref	H Ref	① Ref
FJ3111-01-0808S	M20 x 1.5	8	3.77	2.23	—	1.62	0.94
FJ3111-02-0810S	M20 x 1.5	10	3.78	2.23	—	1.62	0.94
FJ3111-03-0806S*	M20 x 1.5	6	3.75	2.23	—	1.62	0.94
FJ3409-1212S	M27 x 2	12	4.74	3.16	—	2.56	1.25

* MTO (made to order)

EZ Clip System - GH001 fittings

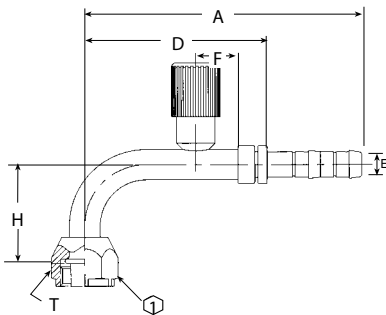
FJ3892



90° elbow – female O-ring (long pilot) metric thread with R134a low side port

Part #	TH'D "T"	Hose Size	A Ref	D Ref	F Ref	H Ref	① Ref
FJ3892-01-1010S	M24 x 1.5	10	4.88	3.33	0.63	1.89	1.125

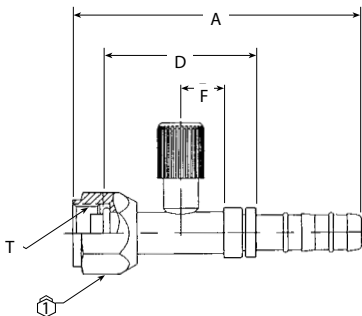
FJ3112



90° elbow - female O-ring (long pilot) metric thread with R134a high side charge port

Part #	TH'D "T"	Hose Size	A Ref	D Ref	F Ref	H Ref	① Ref
FJ3112-01-0808S	M20 x 1.5	8	4.52	2.98	0.69	1.62	0.94
FJ3112-02-0810S	M20 x 1.5	10	4.53	2.98	0.69	1.62	0.94
FJ3112-03-0806S	M20 x 1.5	6	4.50	2.98	0.69	1.62	0.94
FJ3112-03-1010S	M24 x 1.5	10	4.88	3.33	0.63	1.89	1.125

FJ3890 / FJ3301

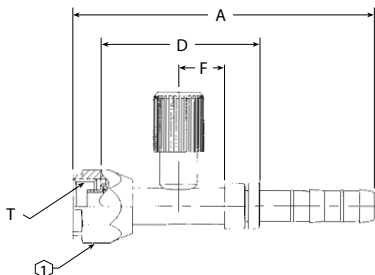


Straight – female O-ring (long pilot) metric thread with R134a high side port

Part #	TH'D "T"	Hose Size	A Ref	D Ref	F Ref	H Ref	① Ref
FJ3890-01-0806S	M20 x 1.5	6	4.06	2.16	0.63	—	0.94
FJ3301-01-0606S*	M18 x 1.5	6	3.91	2.10	0.63	—	0.94

*MTO (made to order)

FJ3891

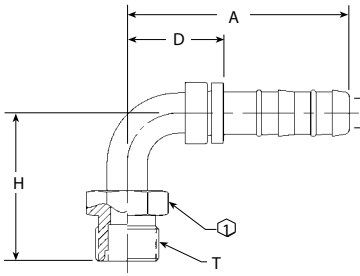


Straight – female O-ring (long pilot) metric thread with R134a low side port

Part #	TH'D "T"	Hose Size	A Ref	D Ref	F Ref	H Ref	① Ref
FJ3891-01-1010S	M24 x 1.5	10	4.24	2.25	0.62	1.62	1.125

EZ Clip System - GH001 fittings

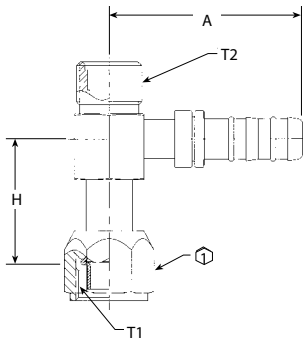
FJ3113



90° elbow – male O-ring (rigid) metric thread

Part #	TH'D "T"	Hose Size	A Ref	D Ref	F Ref	H Ref	① Ref
FJ3113-0810S	M20 x 1.5	10	2.75	1.20	—	1.82	0.88

FJ3067 / FJ3495

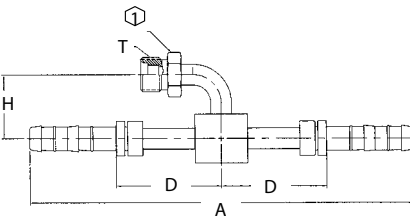


GM tie in – metric tee

Part #	TH'D "T"	Hose Size	A Ref	D Ref	F Ref	H Ref	① Ref
FJ3067-1212S*	M27 x 2	12	3.12	—	—	2.02	1.25
FJ3495-0808S	M20 x 1.5	8	2.71	—	—	1.68	0.94

* MTO (made to order)

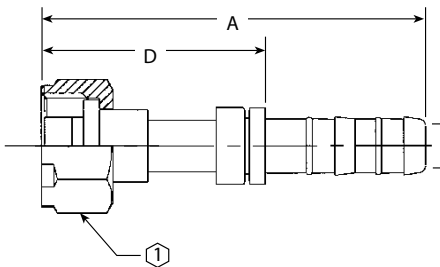
EJ3158



Tee style fitting with male O-ring connection

Part #	TH'D "T"	Hose Size	A Ref	D Ref	F Ref	H Ref	① Ref
EJ3158-101212S	7/8-14	12	5.67	1.26	—	1.49	0.94
EJ3158-121616S	1-1/16-14	16	6.79	1.72	—	2.13	1.13
EJ3158-060808S	5/8-18	8	6.86	1.88	—	1.14	0.69
EJ3158-080808S	3/4-16	8	6.86	1.89	—	1.39	0.81

FJ3274



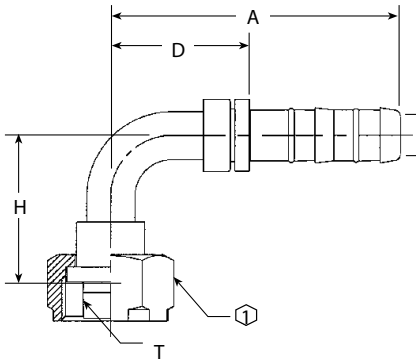
Straight – female Rotalok

Part #	TH'D "T"	Hose Size	A Ref	D Ref	F Ref	H Ref	① Ref
FJ3274-1010S	1-14	10	3.69	2.14	—	—	1.13
FJ3274-1012S*	1-14	12	3.75	2.14	—	—	1.13

* MTO (made to order)

EZ Clip System - GH001 fittings

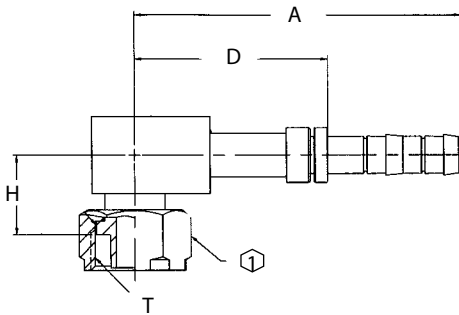
FJ3225



90° elbow – female Rotalok

Part #	TH'D "T"	Hose Size	A Ref	D Ref	F Ref	H Ref	① Ref
FJ3225-1010S	1-14	10	2.98	1.43	—	1.52	1.13
FJ3225-1008S	1-14	8	2.98	1.43	—	1.52	1.13
FJ3225-1012S	1-14	12	3.11	1.54	—	1.62	1.13

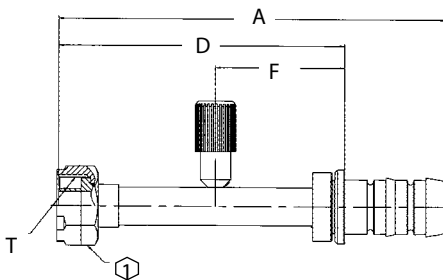
EJ3321



90° elbow – female Rotalok (short drop)

Part #	TH'D "T"	Hose Size	A Ref	D Ref	F Ref	H Ref	① Ref
EJ3321-1008S	1-14	8	3.62	2.07	—	0.91	1.13
EJ3321-1012S	1-14	12	3.87	2.29	—	0.91	1.13

EJ3421 / EJ3422

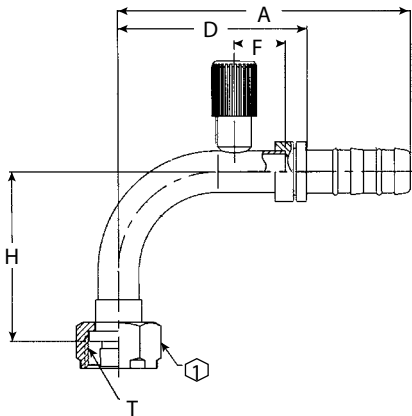


Straight – female Rotalok with R134a port

Part #	TH'D "T"	Hose Size	A Ref	D Ref	F Ref	H Ref	① Ref
EJ3421-1012S	1-14	12	6.44	4.86	2.17	High	1.13
EJ3422-1016S	1-14	16	6.45	4.77	2.15	Low	1.13

EZ Clip System - GH001 fittings

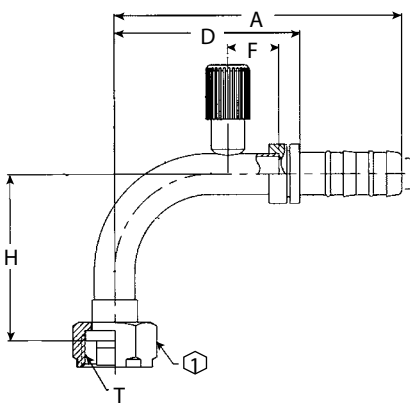
FJ3510



90° elbow – female Rotalok with R134a low side port

Part #	TH'D "T"	Hose Size	A Ref	D Ref	F Ref	H Ref	① Ref
FJ3510-1012S	1-14	12	4.48	2.88	0.79	2.58	1.13

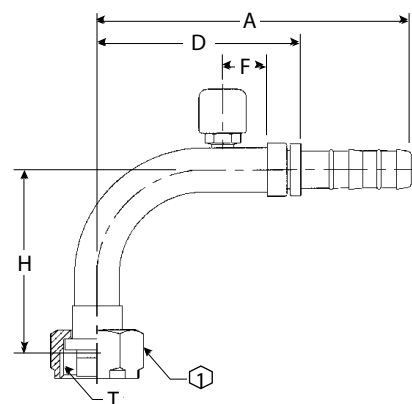
FJ3511



90° elbow – female Rotalok with R134a high side port

Part #	TH'D "T"	Hose Size	A Ref	D Ref	F Ref	H Ref	① Ref
FJ3511-1010S	1-14	10	4.43	2.88	0.79	2.58	1.13

FJ3226

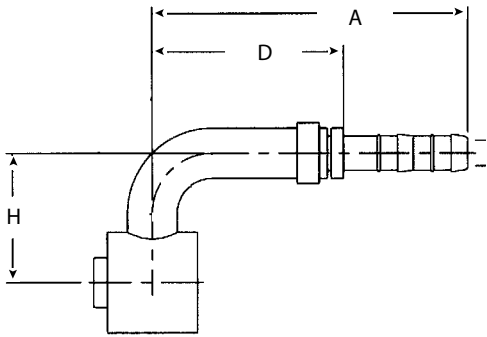


90° elbow – female Rotalok with switch port (7/16-20 thread)

Part #	TH'D "T"	Hose Size	A Ref	D Ref	F Ref	H Ref	① Ref
FJ3226-1010S	1-14	10	4.43	2.88	0.63	2.56	1.13

EZ Clip System - GH001 fittings

FJ3568

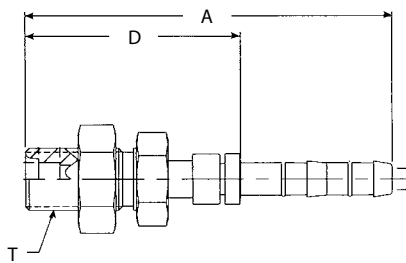


90° elbow – GM block style

Part #	TH'D "T"	Hose Size	A Ref	D Ref	F Ref	H Ref	① Ref
FJ3568-1008S*	—	8	3.92	2.38	—	1.60	—
FJ3568-1010S*	—	10	3.83	2.28	—	2.31	—
FJ3568-1012S*	—	12	3.86	2.28	—	2.38	—

* MTO (made to order)

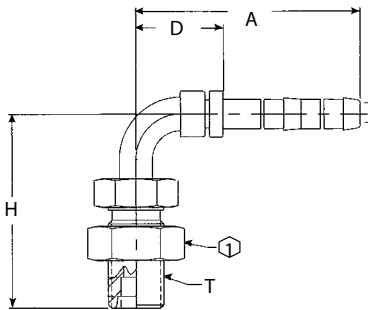
FJ3513



Straight – bulkhead

Part #	TH'D "T"	Hose Size	A Ref	D Ref	F Ref	H Ref	① Ref
FJ3513-0606S	5/8-18	6	3.69	2.16	—	—	0.94
FJ3513-0808S	3/4-16	8	3.93	2.39	—	—	1.00
FJ3513-1010S	7/8-14	10	4.49	2.94	—	—	1.13
FJ3513-1212S	1-1/16-14	12	4.83	3.24	—	—	1.38
FJ3513-1216S	1-1/16-14	16	4.92	3.24	—	—	1.38

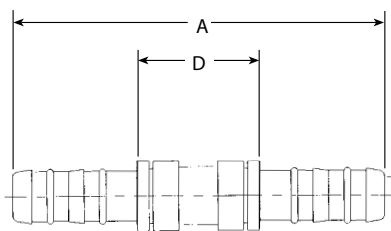
FJ3514



90° elbow – male bulkhead

Part #	TH'D "T"	Hose Size	A Ref	D Ref	F Ref	H Ref	① Ref
FJ3514-0606S	5/8-18	6	2.50	0.98	—	2.15	0.94
FJ3514-0808S	3/4-16	8	2.74	1.20	—	2.61	1.00
FJ3514-1010S	7/8-14	10	3.08	1.53	—	3.26	1.13
FJ3514-1012S	7/8-14	12	3.11	1.53	—	3.26	1.13
FJ3514-1212S	1-1/16-14	12	3.69	2.11	—	3.78	1.38

FJ3045

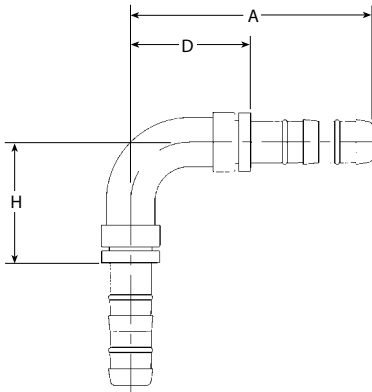


Straight – splicer

Part #	TH'D "T"	Hose Size	A Ref	D Ref	F Ref	H Ref	① Ref
FJ3045-0606S	—	6	4.63	1.58	—	—	—
FJ3045-0808S	—	8	4.76	1.68	—	—	—
FJ3045-1010S	—	10	5.68	2.58	—	—	—
FJ3045-1212S	—	12	4.72	1.57	—	—	—
FJ3045-1008S	—	8	5.78	2.69	—	—	—
FJ3045-1616S	—	16	5.18	1.82	—	—	—

EZ Clip System - GH001 fittings

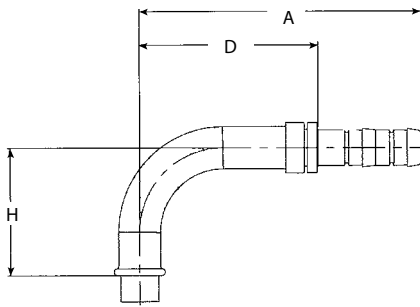
FJ3058



90° elbow – splicer

Part #	TH'D "T"	Hose Size	A Ref	D Ref	F Ref	H Ref	① Ref
FJ3058-01-0606S	—	6	2.71	1.18	—	2.71	—
FJ3058-02-0808S	—	8	2.98	1.43	—	2.98	—
FJ3058-03-1010S	—	10	3.08	1.53	—	3.08	—
FJ3058-04-1212S	—	12	3.68	2.11	—	3.68	—
FJ3058-05-1010S	—	10	6.86	5.61	—	6.86	—
FJ3058-06-1212S	—	12	6.86	5.36	—	6.86	—

FJ3496

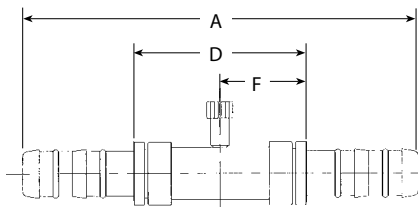


90° elbow – pilot connection (long pilot)

Part #	TH'D "T"	Hose Size	A Ref	D Ref	F Ref	H Ref	① Ref
FJ3496-01-1010S	—	10	4.22	2.67	—	1.89	—
FJ3496-02-0808S*	—	8	3.77	2.23	—	1.62	—
FJ3496-03-1012S	—	12	4.25	2.67	—	1.89	—

* MTO (made to order)

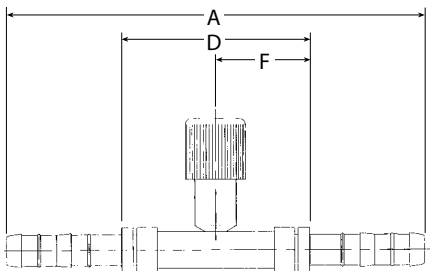
FJ3171



Straight – splicer with switch port (7/16-20 thd)

Part #	TH'D "T"	Hose Size	A Ref	D Ref	F Ref	H Ref	① Ref
FJ3171-0606S	—	6	5.41	2.36	1.18	—	—
FJ3171-0808S	—	8	5.61	2.52	1.26	—	—
FJ3171-1010S	—	10	5.54	2.44	1.22	—	—
FJ3171-1212S	—	12	5.60	2.44	1.22	—	—
FJ3171-1616S	—	16	6.79	3.44	1.72	—	—

FJ5995



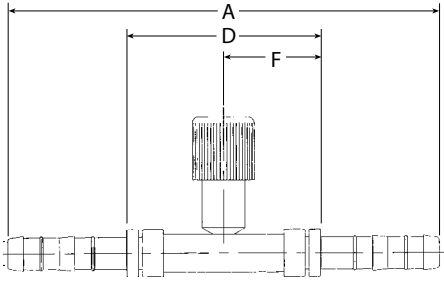
Straight – splicer with high side R134a port

Part #	TH'D "T"	Hose Size	A Ref	D Ref	F Ref	H Ref	① Ref
FJ5995-0606S	—	6	5.41	2.36	1.18	—	—
FJ5995-0808S	—	8	5.61	2.52	1.26	—	—
FJ5995-1010S	—	10	5.62	2.52	1.26	—	—
FJ5995-1212S	—	12	5.67	2.52	1.26	—	—

* MTO (made to order)

EZ Clip System - GH001 fittings

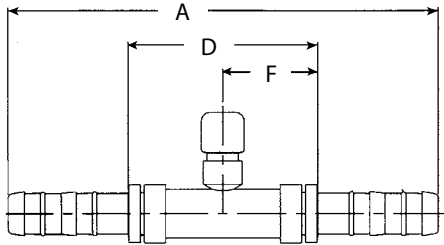
FJ5986



Straight – splicer with R134a low side port

Part #	TH'D "T"	Hose Size	A Ref	D Ref	F Ref	H Ref	① Ref
FJ5986-1010S	—	10	5.54	2.44	1.22	—	—
FJ5986-1212S	—	12	5.60	2.44	1.22	—	—
FJ5986-1616S	—	16	6.79	3.44	1.72	—	—

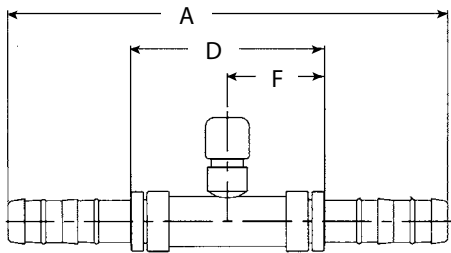
FJ3427



Straight – splicer with high side switch port (M10 X 1.25)

Part #	TH'D "T"	Hose Size	A Ref	D Ref	F Ref	H Ref	① Ref
FJ3427-0808S	—	8	5.61	2.52	1.26	—	—
FJ3427-1010S	—	10	5.54	2.44	1.22	—	—

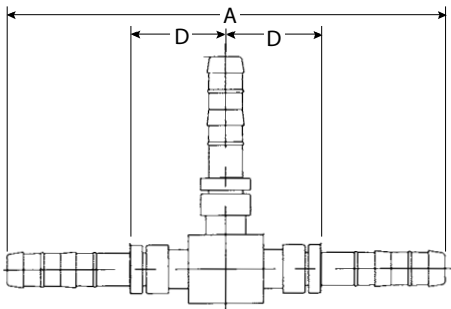
FJ3428



Straight – splicer with low side switch port (M12 X 1.25)

Part #	TH'D "T"	Hose Size	A Ref	D Ref	F Ref	H Ref	① Ref
FJ3428-1212S	—	12	5.59	2.44	1.22	—	—

FJ3066



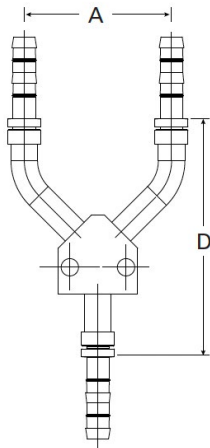
"T" – splicer with 3 hose connector

Part #	TH'D "T"	Hose Size	A Ref	D Ref	F Ref	H Ref	① Ref
FJ3066-0808S	—	8	5.48	2.40	—	—	—
FJ3066-1010S	—	10	5.62	2.52	—	—	—
FJ3066-1212S	—	12	5.67	2.52	—	—	—
FJ3066-101212S	—	10x12x12	5.67	2.52	—	—	—
FJ3066-060808S	—	6x8x8	5.48	2.40	—	—	—
FJ3066-060606S*	—	6x6x6	5.48	2.40	—	—	—

* MTO (made to order)

EZ Clip System - GH001 fittings

EJ5096

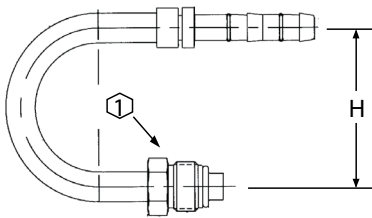


"Y" – splicer with 3 hose connector

Part #	TH'D "T"	Hose Size	A Ref	D Ref	F Ref	H Ref	① Ref
EJ5096-080808*	—	8	2.78	4.52	—	—	—
EJ5096-101010*	—	10	2.64	4.39	—	—	—
EJ5096-121212*	—	12	2.64	4.29	—	—	—
EJ5096-101012*	—	10X10X12	2.64	4.29	—	—	—
EJ5096-121216*	—	12X12X16	2.64	4.29	—	—	—

* MTO (made to order)

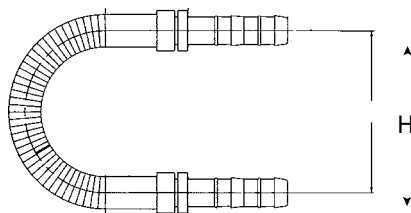
FJ3623



180° elbow – female O-ring pilot

Part #	TH'D "T"	Hose Size	A Ref	D Ref	F Ref	H Ref	① Ref
FJ3623-0808S	—	8	—	—	—	2.50	0.94

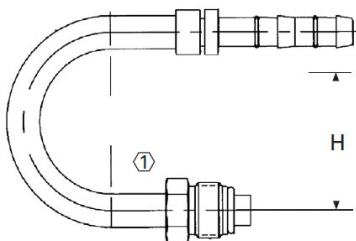
FJ3624



180° elbow – splicer

Part #	TH'D "T"	Hose Size	A Ref	D Ref	F Ref	H Ref	① Ref
FJ3624-0606S	—	8	—	—	—	2.50	—

FJ3804

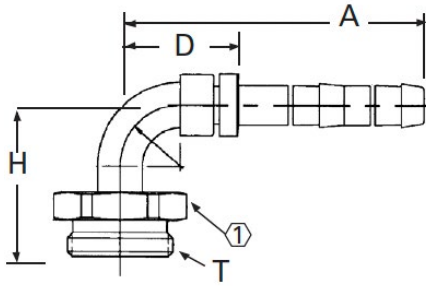


180° elbow – male O-ring

Part #	TH'D "T"	Hose Size	A Ref	D Ref	F Ref	H Ref	① Ref
FJ3804-0606S	5/8-18	6	—	—	—	2.00	0.625
FJ3804-1010S	7/8-18	10	—	—	—	3.00	0.88
FJ3804-1012S	7/8-18	12	—	—	—	3.00	0.88

EZ Clip System - GH001 fittings

FJ3914

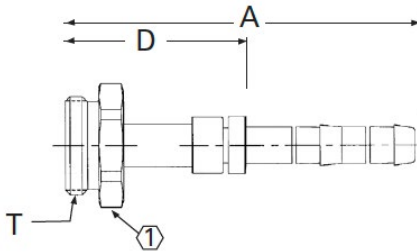


90° elbow – 5400 coupling thread

Part #	TH'D "T"	Hose Size	A Ref	D Ref	F Ref	H Ref	① Ref
FJ3914-03-1210S	1-1/4-18	10	3.08	1.53	—	1.73	1.38
FJ3914-04-0806S	7/8-20	6	2.50	0.98	—	1.23	1.00
FJ3914-02-1212S*	1-1/4-18	12	3.08	1.53	—	1.73	1.38

* MTO (made to order)

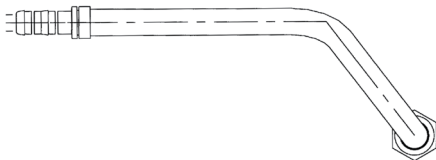
FJ3970



Straight – 5400 coupling thread

Part #	TH'D "T"	Hose Size	A Ref	D Ref	F Ref	H Ref	① Ref
FJ3970-0606S	7/8-20	6	3.14	1.82	—	—	1.00
FJ3970-0808S	7/8-20	8	3.19	1.65	—	—	1.00
FJ3970-1212S	1-1/4-18	12	3.50	1.93	—	—	1.38
FJ3970-1616S	1-19/32-20	16	3.66	1.98	—	—	1.75

FJ3734

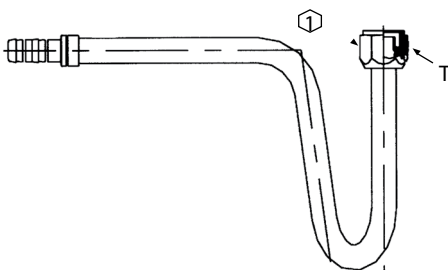


Female – O-ring (long pilot) compound tube

Part #	TH'D "T"	Hose Size	A Ref	D Ref	F Ref	H Ref	① Ref
FJ3734-1212S*	1 1/16 x 14	12	—	—	—	—	1.25

* MTO (made to order)

FJ3801



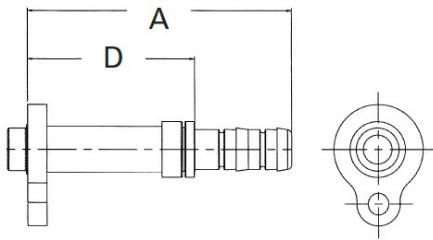
Female – O-ring (long pilot) compound tube

Part #	TH'D "T"	Hose Size	A Ref	D Ref	F Ref	H Ref	① Ref
FJ3801-1212S*	1 1/16 x 14	12	—	—	—	—	1.25

* MTO (made to order)

EZ Clip System - GH001 fittings

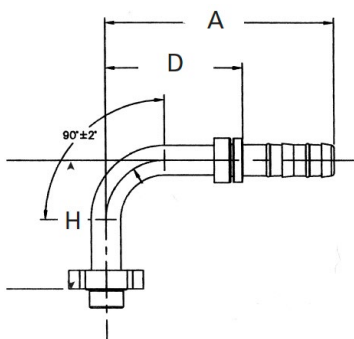
FJ3977



Straight – pad style connection (Volvo)

Part #	TH'D "T"	Hose Size	A Ref	D Ref	F Ref	H Ref	① Ref
FJ3977-0806S	—	6	3.34	1.82	—	—	—
FJ3977-0810S	—	10	3.74	2.19	—	—	—
FJ3977-1012S	—	10	4.32	2.73	—	—	—

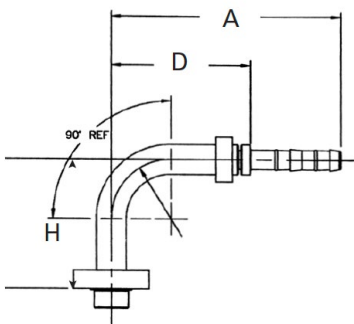
FJ3982



90° elbow – pad style connection (Volvo) pad orientation 90°

Part #	TH'D "T"	Hose Size	A Ref	D Ref	F Ref	H Ref	① Ref
FJ3982-0806S	—	6	3.86	2.33	—	2.18	—
FJ3982-0810S	—	10	3.86	2.31	—	2.18	—

FJ3983

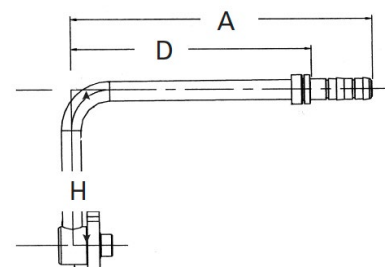


90° elbow – pad style connection (Volvo) pad orientation 90°

Part #	TH'D "T"	Hose Size	A Ref	D Ref	F Ref	H Ref	① Ref
FJ3983-0806S*	—	6	3.86	2.33	—	2.18	—

* MTO (made to order)

FJ3980



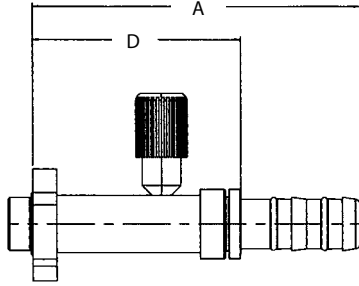
180° elbow – pad style connection

Part #	TH'D "T"	Hose Size	A Ref	D Ref	F Ref	H Ref	① Ref
FJ3980-0810S*	—	10	6.04	4.48	—	3.92	—

* MTO (made to order)

EZ Clip System - GH001 fittings

FJ3978

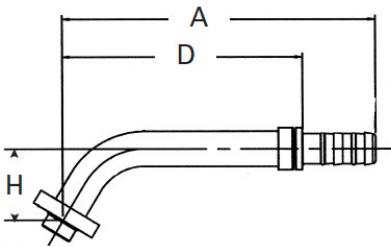


Straight – pad style (Volvo) with R134a low side port

Part #	TH'D "T"	Hose Size	A Ref	D Ref	F Ref	H Ref	① Ref
FJ3978-1012S*	—	12	4.32	2.73	—	—	—

*MTO (made to order)

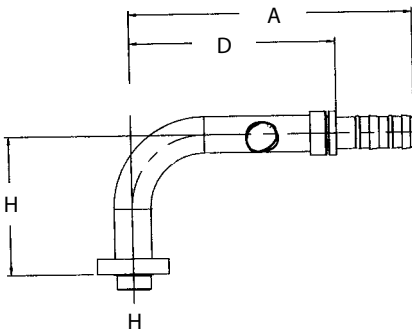
FJ3979



60° elbow – pad style (Volvo) with R134a low side port

Part #	TH'D "T"	Hose Size	A Ref	D Ref	F Ref	H Ref	① Ref
FJ3979-1012S	—	12	6.78	5.20	—	1.53	—

FJ3981

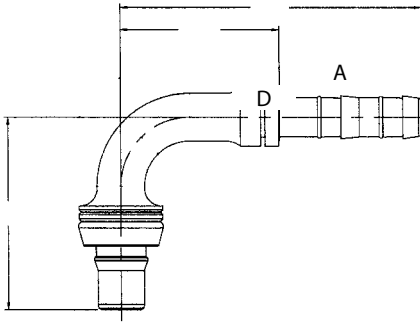


90° elbow – pad style (Volvo) with R134a low side port

Part #	TH'D "T"	Hose Size	A Ref	D Ref	F Ref	H Ref	① Ref
FJ3981-1012S	—	12	5.90	4.32	—	2.84	—

EZ Clip System - GH001 fittings

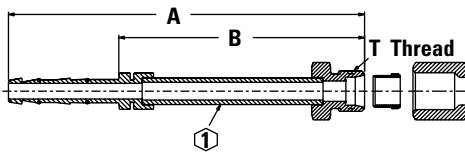
IF20340



90° elbow – to STC

Part #	TH'D "T"	Hose Size	A Ref	D Ref	F Ref	H Ref	① Ref
1F20340-0808-S	—	8	3.03	1.49	—	2.09	—

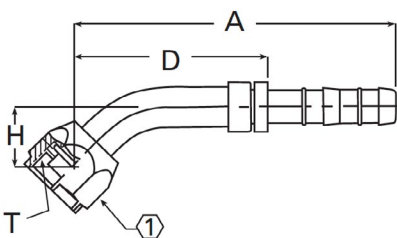
EJ3809



EZ Clip – compression fitting

Part #	TH'D "T"	Hose Size	A Ref	B Ref	F Ref	H Ref	① Ref
EJ3809-01-0606S	9/16-18	6	4.92	3.40	—	—	0.69
EJ3809-02-0806S	2/4-16	6	4.93	2.40	—	—	0.88
EJ3809-03-0606S	9/16-18	6	4.94	3.40	—	—	0.69
EJ3809-04-0808S	3/4-16	8	4.84	3.30	—	—	0.88
EJ3809-05-1008S	7/8-14	8	4.73	3.19	—	—	1.00
EJ3809-06-0810S	3/4-16	10	4.85	3.30	—	—	0.88
EJ3809-07-1010S	7/8-14	10	4.64	3.09	—	—	1.00
EJ3809-08-1012S	7/8-14	12	4.66	3.09	—	—	1.00
EJ3809-09-1212S	1-1/16-12	12	4.98	3.40	—	—	1.25
EJ3809-10-1210S	1-1/16-12	10	5.05	3.50	—	—	1.25

GA23854



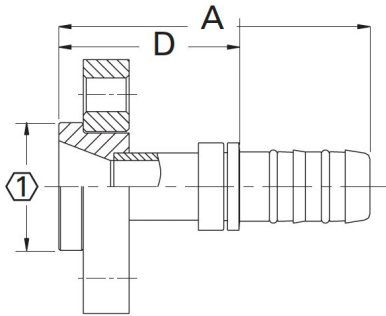
45° elbow – female O-ring (long pilot)

Part #	TH'D "T"	Hose Size	A Ref	D Ref	F Ref	H Ref	① Ref
GA23854-12-16*	1 1/16-14	16	5.125	3.175	—	1.39	32mm

* MTO (made to order)

EZ Clip System - GH001 fittings

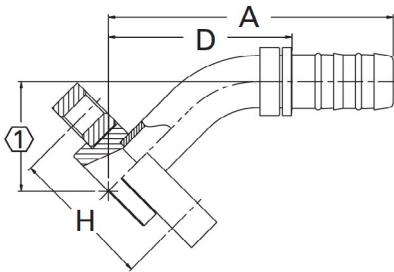
GA24335



Straight – bock compressor fitting

Part #	TH'D "T"	Hose Size	A Ref	D Ref	F Ref	H Ref	① Ref
GA24335-16-12	—	12	4.00	2.42	—	—	1.65
GA24335-22-16	—	12	4.01	2.33	—	—	1.65

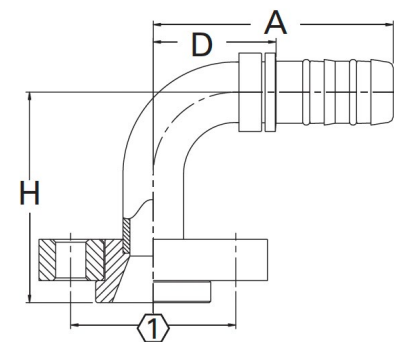
GA24336



45° elbow – bock compressor fitting

Part #	TH'D "T"	Hose Size	A Ref	D Ref	F Ref	H Ref	① Ref
GA24336-16-12	—	12	4.85	3.27	—	1.65	1.53
GA24336-22-16	—	16	4.72	3.04	—	1.65	1.81

GA24337



90° elbow – bock compressor fitting

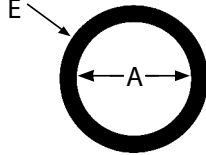
Part #	TH'D "T"	Hose Size	A Ref	D Ref	F Ref	H Ref	① Ref
GA24337-16-12	—	12	3.65	2.07	—	2.50	1.65
GA24337-22-16	—	12	3.44	1.76	—	3.01	1.65

EZ Clip System - End connections and O-rings

Tubing identification

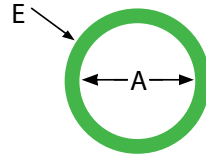
Size	Tubing Style	Wall Thickness
-6	SAE J526	0.035
-0608	SAE J526	0.035
-8	SAE J526	0.035
-0810	SAE J526	0.035
-10	SAE J525	0.049
-1012	SAE J525	0.049
-12	SAE J525	0.049
-16	SAE J525	0.063

O-rings for bump tube, O-ring seal, and O-ring pilot fittings



22546
 Color: Black
 Material: Chloroprene (Neoprene)
 Durometer: 70
 Temperature Range: -40 °F to +300 °F
 -10 °C to +150 °C

O-Ring Part No.	O-Ring Pilot Dash Size	A	E
22546-11	-06	.301	.07
22546-13	-08	.426	.07
22546-15	-10	.551	.07
22546-17	-12	.676	.07



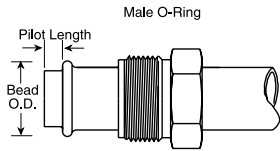
FF90178
 Color: Green
 Material: HNBR
 Durometer: 70
 Temperature Range: -25 °F to +300 °F
 -30 °C to +150 °C

O-Ring Part No.	O-Ring Pilot Dash Size	A	E
FF90178-11	-06	.301	.0625
FF90178-13	-08	.426	.0625
FF90178-15	-10	.551	.0625
FF90178-17	-12	.676	.0625

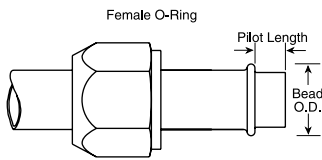
EZ Clip System - End connections and O-rings

How to identify O-ring pilot thread sizes

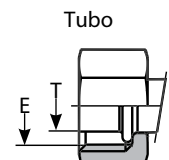
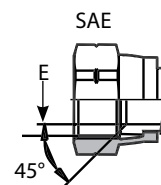
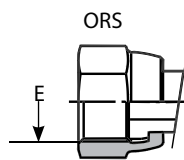
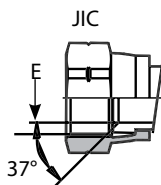
This connection is common to air conditioning systems, both in vehicle and commercial applications. The male and female halves of the connections have a pilot, either long or short. The seal takes place by compressing an O-ring adjacent to the bead of the tube. The threads hold the connection together mechanically.



Inch Size	Dash Size	MALE THREAD O.D. (INCH)			FEMALE THREAD I.D. (INCH)		
		Nominal Thread	Fraction	Decimal	Nominal Thread	Fraction	Decimal
3/8	06	5/8 - 18	5/8	.62	5/8 - 18	9/16	.57
1/2	08	3/4 - 18	3/4	.75	3/4 - 16	11/16	.69
5/8	10	7/8 - 18	7/8	.87	7/8 - 14	13/16	.81
3/4	12	1-1/16 - 16	1-1/16	1.06	11/16 - 14	1	.99



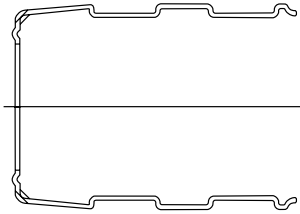
Inch Size	Dash Size	LONG PILOT		SHORT PILOT	
		Bead O.D. (inch)	Pilot length	Bead O.D. (inch)	Pilot length
3/8	06	.52	.28	.52	.19
1/2	08	.64	.39	.64	.19
5/8	10	.77	.39	.77	.19
3/4	12	.91	.39	.91	.19



Size	JIC Thread	ORS Thread	ØE	SAE Thread	ØE	Tubo Thread	ØE	ØT
-4	7/16-20	9/16-18	12,9	7/16-20	—	—	—	—
-6	9/16-18	11/16-16	15,9	5/8-18	14,5	5/8-18	14,5	8,4
-8	3/4-18	13/16-16	19,1	3/4-16	17,5	3/4-16	17,5	11,6
-10	7/8-14	1-14	23,6	7/8-14	20,5	7/8-14	20,5	14,4
-12	1-1/16-12	1-3/16-12	28,1	1-1/16-14	25,2	1-1/16-14	25,2	17,5
-16	1-5/16-12	1-7/16-12	34,5	—	—	—	—	—
-20	—	1-11/16-12	40,7	—	—	—	—	—
-24	—	—	—	—	—	—	—	—

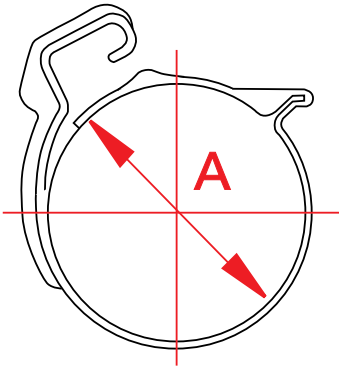
EZ Clip System - Cages, clips, and lifesavers

Cages/Fitting to hose attachment



Part #	Cage Size	Hose Description
1F40105-04C	-04	Cages for size -04 hose
1F40105-06C	-06	Cages for size -06 hose
1F40105-08C	-08	Cages for size -08 hose
1F40105-10C	-10	Cages for size -10 hose
1F40105-12C	-12	Cages for size -12 hose
1F40105-16C	-16	Cages for size -16 hose

Clips hose/Cage connection

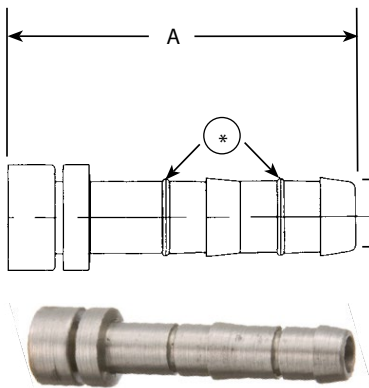


Part #	A Ref	Description
1F40104-04C	14.0 mm	Clips for size -04 hose
1F40104-06C	18.0 mm	Clips for size -06 hose
1F40104-08C	20.5 mm	Clips for size -08 hose
1F40104-10C	23.0 mm	Clips for size -10 hose
1F40104-12C	27.5 mm	Clips for size -12 hose
1F40104-16C	33.0 mm	Clips for size -16 hose

Clip and cage kits

Kit Part #	Hose Size	Number of Clips per Kit	Number of Cages per kit
FF14175	4	1	1
FF14171	6	2	1
FF14172	8	2	1
FF14173	10	2	1
FF14174	12	2	1
FF14401	16	2	1
FF13819	6	4	2
FF13820	8	4	2
FF13821	10	4	2
FF13822	12	4	2
FF14402	16	4	2

Lifesaver braze nipple



Part #	TH'D "T"	Hose Size	A Ref
FF12262-0606	—	6	2.01
FF12262-0608	—	8	2.02
FF12262-0808	—	8	2.02
FF12262-0810	—	10	2.03
FF12262-1010	—	10	2.03
FF12262-1012	—	12	2.06
FF12262-1212	—	12	2.21
FF12262-1616	—	16	2.21
FF12262-1016	—	16	2.21
FF12262-1216	—	16	2.21

O-rings packaged separately

EZ Clip System - Aluminum lifesaver

A/C hose repair system

The aluminum lifesaver braze fitting is designed to rework failed OEM aluminum air conditioning tubing and hose assemblies in sizes 10mm to 18mm (metric tubing only, -6 to -12). This repair system allows the installer to reuse unique OEM terminal connections, while replacing the failed OEM hose and nipple with the EZ Clip attachment system.

Note: The EZ Clip system can only be used with Danfoss Aeroquip GH001 hose.

EZ to use

Each kit contains the correct components for replacement of a single hose assembly.

Danfoss Aeroquip GH001 hose must be ordered or purchased separately.

Determine tube OD for Hose ID per chart below:

Standard Configurations

Size *	Tube OD mm (in)	Hose ID mm (in)	Hose Part Number	Use Lifesaver Kit Part Number
-6	10 (.39)	8 (.32)	GH001-6	FF13727-1006
-8	12 (.47)	11 (.42)	GH001-8	FF13727-1208
-10	16 (.63)	13 (.51)	GH001-10	FF13727-1610
-12	18 (.71)	16 (.64)	GH001-12	FF13727-1812

*This (-) size label will be referenced throughout the instructions



EZ Clip aluminum lifesaver kits

FF13727

Order Kit No.	Kit Component	Description	Qty
FF13727-size	GW1172-size	Braze-on nipple	2
	1F40106-size	Nipple O-ring	5
	GA7000579-size	Silver braze ring	3
		Assembly instructions	1

EZ Clip System - Assembly tools

EZ Clip tools and tool case



EZ Clip tool case FF12139

Kit Contents Components Part #	Description	QTY/PER KIT
1F40104-size	Clips	20
1F40105-size	Cages	10
FT1357	Assembly tool	1
FT1356	Hose cutter	1
FT1356-2-1	Replacement blade	1

The EZ Clip system has been designed to work exclusively with Danfoss GH001 hose

Pliers/connecting assembly tool



EZ Clip pliers/connecting tool FT1357 and FT1421

Part #	Description
FT1357	Connecting tool
FT1421	Connecting tool for #16

(Replaces FT1417)

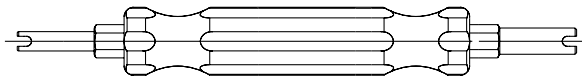
Hose cutter



Hose cutter FT1356

Part #	Description
FT1356	Hose cutter
FT1356-2-1	Replacement blade

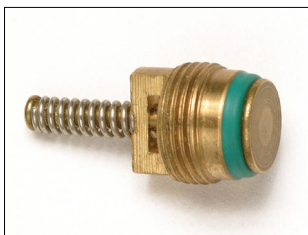
Core tool



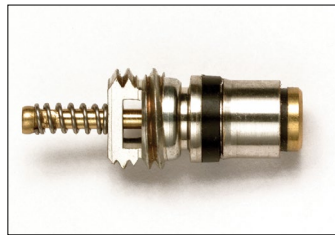
Core tool FT1406

Part #	Description
FT1406	Core tool
FF90192-02	High side core*
FF90192-01	Low side core*
FF90193-02	High side cap for M10 x .75 thd. port
FF90193-01	Low side cap for M8 x 1.0 thd. port
FF9872-04	Cap for 7/16-20 thd. port

*For high flow charge ports only



FF90192-02
high side core



FF90192-01
low side core*



FF90193-02 High side cap
FF90193-01 Low side cap



FF9872-04 cap

EZ Clip System - Ordering and identifying

The EZ Clip System is designed for assembly with Aeroquip by Danfoss GH001 multi-refrigerant hose. The engineered connection exceeds SAE J2064 and has been vibration and impulse tested.

The benefits of EZ Clip are virtually endless:

- No guess work
- No leaking crimps
- No power supply needed
- As easy to use as a pair of pliers
- Easy to use in confined areas

Assembly materials checklist

- Pliers (FT1357)
- Guillotine blade (FT1356) or equivalent cutting tool
- Refrigerant oil compatible with refrigeration or A/C system
- GH001 Multi-Refrigerant hose
- Nipple assembly*
- Appropriately sized clips and cage

**The two black O-rings on the nipple assembly are of a specific rubber compound and size. They should NOT be removed or replaced.*



EZ Clip system components are simple to identify, order, and use

Ordering information

Hose	Nipple	Cage	Clips
GH001-6	FJ__-__06S	1F40105-06C	1F40104-06C
GH001-8	FJ__-__08S	1F40105-08C	1F40104-08C
GH001-10	FJ__-__10S	1F40105-10C	1F40104-10C
GH001-12	FJ__-__12S	1F40105-12C	1F40104-12C
GH001-16	FJ__-__16S	1F40105-16C	1F40104-16C

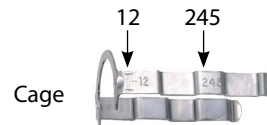
Identification guide

Hose	Nipple	Cage	Nipple O-Rings (HNBR)
GH001-6	-6 and 150	150	1F40106-06
GH001-8	-8 and 175	175	1F40106-08
GH001-10	-10 and 200	200	1F40106-10
GH001-12	-12 and 245	245	1F40106-12
GH001-16	-16 and 285	285	1F40106-16

For example...



Hose



Cage



Cage groove

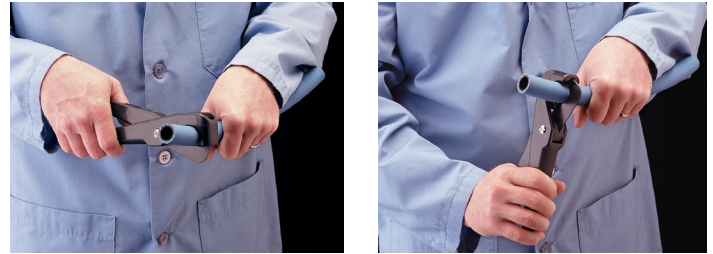


Clips

EZ Clip System - Assembly instructions

Step 1. Cut the hose

Cut the hose to proper length with an appropriate cutting tool. Aeroquip's hand-held hose cutter (FT1356) has been specially designed for cutting all non-wire reinforced hose, such as GH001 Multi-Refrigerant hose. Be sure the cut is made square to the hose length.



Step 2. Slip on two clips

Install two proper-sized clips onto the cut end of the hose. Orientation of the clips does not affect the performance of the connection. However, for ease of assembly, both clips should have the same orientation.

Note: Failure to slide the clips over the hose at this time will require the clips to be stretched over the hose or fitting later. This may permanently damage the clip.



Step 3. Oil the nipple

Lubricate the nipple with a generous amount of the refrigeration or A/C system's compressor lubricating oil. This **MUST** be done to lower the force of nipple insertion.



Step 4. Insert the nipple into the hose

Insert the nipple into the hose. To ensure that the nipple is fully inserted, check the gap between the cut end of the hose and the shoulder on the nipple. Care should be taken to avoid kinking or other damage to the hose during nipple insertion.

Note: Be sure to wipe excess oil from the nipple and hose.

Step 5. Snap on the cage

Snap the cage into the groove on the nipple. The arms should extend over the hose length. When the cage has been correctly installed in the cage groove, the cage will be able to rotate in the groove. This step **MUST** be performed to ensure:

1. The clips will be located over the O-rings on the nipple.
2. The connection will be compatible with the connection's pressure rating.



EZ Clip System - Assembly instructions

Step 6: Slide the clips

Slide the clips over the cage arms and into the channels on each arm.



Step 7: Close the clips

Use the FT1357 pliers to close the clips. The pliers should be positioned squarely on the clip connection points and should remain square during the closing of the clip.

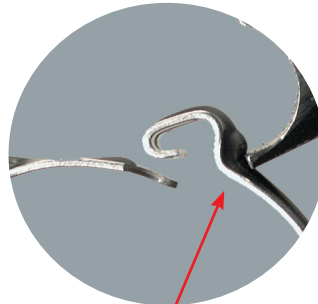


Nose of the pliers should be firmly seated under the assembly bump and lock latch.

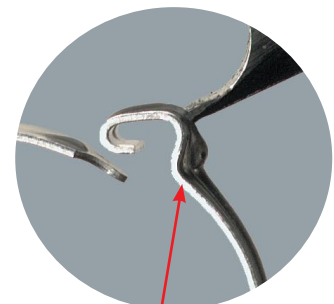
If the pliers are not kept square during closing of the clip, the clasp may have an offset. Use the pliers to correct the clasp alignment.



For easiest assembly, the clasp should be closed between the cage arms.



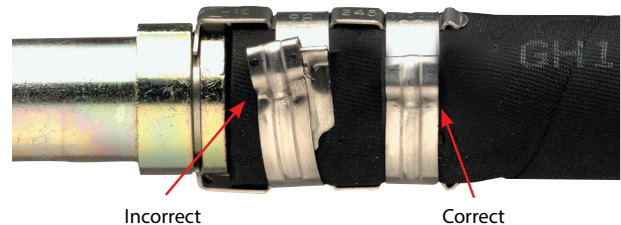
Correct



Incorrect

Notice

EZ Clip components should not be reused.



EZ Clip System - GH001: Fitting kits

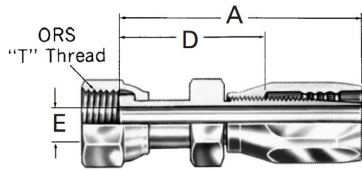
Our most popular EZ Clip fittings are available pre-packed with the needed clips and cages for installation, in a single package.

EZ Clip Kit Part #	EZ Clip Fitting #	Qty Per Kit	EZ Clip, Cage, and Clip Kit	Qty Per Kit
FF14176	FJ5984-0606S	1	FF14171	1
FF14177	FJ5984-0608S	1	FF14172	1
FF14178	FJ5984-0808S	1	FF14172	1
FF14179	FJ5984-0810S	1	FF14173	1
FF14180	FJ5984-1010S	1	FF14173	1
FF14181	FJ5984-1012S	1	FF14174	1
FF14182	FJ5984-1212S	1	FF14174	1
FF14183	FJ3055-01-0606S	1	FF14171	1
FF14184	FJ3055-03-0808S	1	FF14172	1
FF14185	FJ3055-05-1010S	1	FF14173	1
FF14186	FJ3055-07-1212S	1	FF14174	1
FF14187	FJ5985-0606S	1	FF14171	1
FF14188	FJ5985-0608S	1	FF14172	1
FF14189	FJ5985-0808S	1	FF14172	1
FF14190	FJ5985-0810S	1	FF14173	1
FF14191	FJ5985-1010S	1	FF14173	1
FF14192	FJ5985-1012S	1	FF14174	1
FF14193	FJ5985-1212S	1	FF14174	1
FF14194	FJ3012-02-1010S	1	FF14173	1
FF14195	FJ3012-01-1012S	1	FF14174	1
FF14196	FJ3012-03-1212S	1	FF14174	1
FF14197	FJ3052-0606S	1	FF14171	1
FF14198	FJ3052-0608S	1	FF14172	1
FF14199	FJ3052-0808S	1	FF14172	1
FF14200	FJ3052-1010S	1	FF14173	1
FF14201	FJ3052-1012S	1	FF14174	1
FF14202	FJ3052-1212S	1	FF14174	1
FF14203	FJ3019-03-0606S	1	FF14171	1
FF14204	FJ3019-02-0608S	1	FF14172	1
FF14205	FJ3019-04-0808S	1	FF14172	1
FF14206	FJ3019-06-0810S	1	FF14173	1
FF14207	FJ3019-01-1012S	1	FF14174	1
FF14208	FJ3019-05-1212S	1	FF14174	1
FF14209	FJ3019-07-1010S	1	FF14173	1
FF14210	FF12262-0606	1	FF14171	1
FF14211	FF12262-0808	1	FF14172	1
FF14212	FF12262-1010	1	FF14173	1
FF14213	FF12262-1012	1	FF14174	1
FF14214	FJ3116-03-0808S	1	FF14172	1
FF14215	FJ3116-01-0606S	1	FF14171	1
FF14216	FJ3116-02-1010S	1	FF14173	1
FF14217	FJ3513-0606S	1	FF14171	1
FF14218	FJ3513-0808S	1	FF14172	1
FF14219	FJ3513-1010S	1	FF14173	1
FF14220	FJ3514-0606S	1	FF14171	1
FF14221	FJ3514-0808S	1	FF14172	1
FF14222	FJ3514-1010S	1	FF14173	1
FF14223	FJ3514-1012S	1	FF14174	1
FF14224	FJ3054-1010S	1	FF14173	1
FF14225	FJ3054-1012S	1	FF14174	1
FF14226	FJ3053-0808S	1	FF14172	1
FF14227	FJ3289-03-0606S	1	FF14171	1
FF14228	FJ3289-01-0808S	1	FF14172	1
FF14229	FJ3289-05-1012S	1	FF14174	1
FF14230	FJ3171-0606S	1	FF13819	1
FF14231	FJ3171-0808S	1	FF13820	1
FF14232	FJ3171-1010S	1	FF13821	1

EZ Clip Kit Part #	EZ Clip Fitting #	Qty Per Kit	EZ Clip, Cage, and Clip Kit	Qty Per Kit
FF14233	FJ3171-1212S	1	FF13822	1
FF14234	FJ3132-02-1012S	1	FF14174	1
FF14235	FJ3131-02-0808S	1	FF14172	1
FF14236	FJ3134-02-0808S	1	FF14172	1
FF14237	FJ3135-02-1012S	1	FF14174	1
FF14238	FJ3058-01-0606S	1	FF14171	1
FF14239	FJ3058-02-0808S	1	FF14172	1
FF14240	FJ3058-03-1010S	1	FF14173	1
FF14241	FJ3057-01-0606S	1	FF14171	1
FF14242	FJ3057-03-0808S	1	FF14172	1
FF14243	FJ3057-05-1010S	1	FF14173	1
FF14244	FJ3057-07-1212S	1	FF14174	1
FF14245	FJ5994-01-0606S	1	FF14171	1
FF14246	FJ5994-02-0808S	1	FF14172	1
FF14247	FJ5994-04-1010S	1	FF14173	1
FF14248	FJ5994-03-1212S	1	FF14174	1
FF14249	FJ5994-05-1012S	1	FF14174	1
FF14250	FJ3045-0606S	1	FF14171	1
FF14251	FJ3045-0808S	1	FF14172	1
FF14252	FJ3045-1010S	1	FF14173	1
FF14253	FJ3045-1212S	1	FF14174	1
FF14254	FJ3058-04-1212S	1	FF14174	1
FF14255	FJ5986-1010S	1	FF13821	1
FF14256	FJ5986-1212S	1	FF13822	1
FF14257	FJ5995-0606S	1	FF13819	1
FF14258	FJ5995-0808S	1	FF13820	1
FF14259	FJ5995-1010S	1	FF13821	1
FF14260	FJ3013-02-0606S	1	FF14171	1
FF14261	FJ3013-03-0808S	1	FF14172	1
FF14262	FJ3013-01-0810S	1	FF14173	1
FF14263	FJ3977-0806S	1	FF14171	1
FF14264	FJ3977-0810S	1	FF14173	1
FF14265	FJ3977-1012S	1	FF14174	1
FF14266	FJ3978-1012S	1	FF14174	1
FF14267	FJ3979-1012S	1	FF14174	1
FF14268	FJ3980-0810S	1	FF14173	1
FF14269	FJ3981-1012S	1	FF14174	1
FF14270	FJ3982-0806S	1	FF14171	1
FF14271	FJ3982-0810S	1	FF14173	1
FF14272	FJ3983-0806S	1	FF14171	1
FF14369	EJ3320-1008S	1	FF14172	1
FF14370	EJ3320-1012S	1	FF14174	1
FF14371	EJ3321-1008S	1	FF14172	1
FF14372	EJ3321-1012S	1	FF14174	1
FF14373	FJ3225-1008S	1	FF14172	1
FF14374	FJ3225-1012S	1	FF14174	1
FF14375	FJ3225-1010S	1	FF14173	1
FF14376	FJ3274-1010S	1	FF14173	1
FF14377	FJ3510-1012S	1	FF14174	1
FF14378	FJ3511-1010S	1	FF14173	1
FF14379	FJ3226-1010S	1	FF14173	1
FF14380	FJ5984-1210S	1	FF14173	1
FF14381	FJ3289-02-1010S	1	FF14173	1
FF14382	FJ3149-01-0606S	1	FF14171	1
FF14383	FJ3149-03-0808S	1	FF14172	1
FF14384	FJ3149-04-1010S	1	FF14173	1

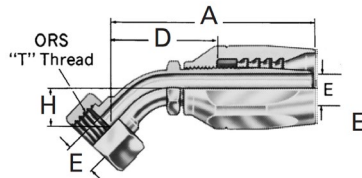
Field attachable - FC800

Female ORS swivel



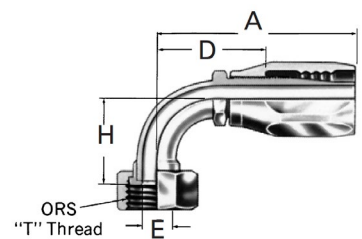
Part #	Hose Size	Tube Size	Thread Size	A		Hose Cut-off Factor		Hole Diameter		Hex	O-Ring Ref
				mm	in	mm	in	mm	in		
EJ5305-1212S	12	12	1-3/16-12	93.0	3.66	54.4	2.14	11.9	0.47	1-1/4	FF91026-12
EJ5305-1616S	16	16	1-7/16-12	85.9	3.38	56.4	2.22	17.5	0.69	1-5/8	FF91026-16
EJ5305-2020S	20	20	1-11/16-12	92.3	3.63	58.8	2.31	24.2	0.95	1-7/8	FF91026-20
EJ5305-2424S	24	24	2-12	96.2	3.79	61.2	2.41	29.5	1.16	2-1/4	FF91026-24

Female ORS swivel 45° tube elbow



Part #	Hose Size	Tube Size	Thread Size	A		Hose Cut-off Factor		Drop Diameter		Hole Diameter		Hex	O-Ring Ref
				mm	in	mm	in	mm	in	mm	in		
EJ5361-1212S	12	12	1-3/16-12	97.5	3.84	57.4	2.26	21.0	0.83	11.9	0.47	1-3/8	FF91026-12
EJ5361-1616S	16	16	1-7/16-12	91.9	3.62	59.6	2.35	24.0	0.94	17.5	0.69	1-5/8	FF91026-16
EJ5361-2020S	20	20	1-11/16-12	103.6	4.08	69.1	2.72	25.0	0.98	24.2	0.95	1-7/8	FF91026-20
EJ5361-2424S	24	24	2-12	109.8	4.32	72.6	2.86	27.0	1.06	29.5	1.16	2-1/4	FF91026-24

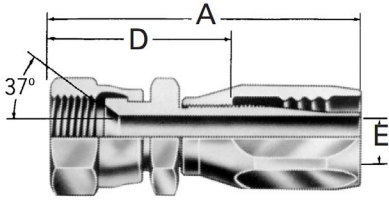
Female ORS swivel 90° tube elbow



Part #	Hose Size	Tube Size	Thread Size	A		Hose Cut-off Factor		Drop Diameter		Hole Diameter		Hex	O-Ring Ref
				mm	in	mm	in	mm	in	mm	in		
EJ5362-1212S	12	12	1-3/16-12	95.0	3.74	55.1	2.17	48.3	1.90	11.9	0.47	1-3/8	FF91026-12
EJ5362-1616S	16	16	1-7/16-12	90.2	3.55	57.9	2.28	56.4	2.22	17.5	0.69	1-5/8	FF91026-16
EJ5362-2020S	20	20	1-11/16-12	102.1	4.02	67.3	2.65	63.5	2.50	24.2	0.95	1-7/8	FF91026-20
EJ5362-2424S	24	24	2-12	112.3	4.42	75.4	2.97	68.6	2.70	29.5	1.16	2-1/4	FF91026-24

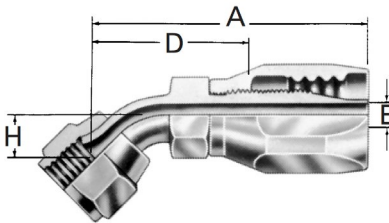
Field attachable - FC800

Female SAE 37° JIC swivel



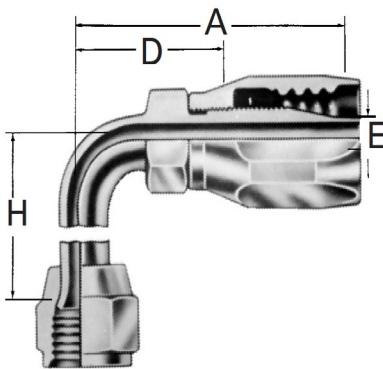
Part #	Hose Size	Tube Size	Thread Size	A		Hose Cut-off Factor		Hole Diameter		Hex	O-Ring Ref
				mm	in	mm	in	mm	in		
EJ5306-1212S	12	12	1-1/16-12	76.9	3.03	38.3	1.51	11.9	0.47	1-1/4	FF91026-12
EJ5306-1616S	16	16	1-5/16-12	70.6	1.78	41.4	1.62	17.5	0.69	1-1/2	FF91026-16
EJ5306-2020S	20	20	1-5/8-12	80.1	3.15	46.6	3.15	24.2	0.95	2	FF91026-20
EJ5306-2424S	24	24	1-7/8-12	84.5	3.33	49.5	1.95	29.5	1.16	2-1/4	FF91026-24

Female SAE 37° JIC swivel 45° tube elbow



Part #	Hose Size	Tube Size	Thread Size	A		Hose Cut-off Factor		Drop Diameter		Hole Diameter		Hex	O-Ring Ref
				mm	in	mm	in	mm	in	mm	in		
EJ5359-1212S	12	12	1-1/16-12	96.1	3.78	56.2	2.21	19.7	.78	11.9	0.47	1-1/4	FF91026-12
EJ5359-1616S	16	16	1-5/16-12	95.2	3.75	63.0	2.48	27.1	1.07	17.5	0.69	1-1/2	FF91026-16
EJ5359-2020S	20	20	1-5/8-12	106.9	4.21	72.4	2.85	31.0	1.22	24.2	0.95	2	FF91026-20

Female JIC/SAE 37° swivel 90° tube elbow

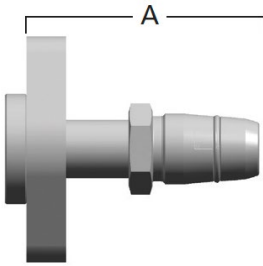


Part #	Hose Size	Tube Size	Thread Size	A		Hose Cut-off Factor		Drop Diameter		Hole Diameter		Hex	O-Ring Ref
				mm	in	mm	in	mm	in	mm	in		
EJ5360-1212S	12	12	1-1/16-12	95.0	3.74	55.1	2.17	46.3	1.82	11.9	0.47	1-1/4	FF91026-12
EJ5360-1616S	16	16	1-5/16-12	90.3	3.56	58.1	2.29	60.7	2.39	17.5	0.69	1-1/2	FF91026-16
EJ5360-2020S	20	20	1-5/8-12	102.1	4.02	67.3	2.65	69.8	2.75	24.2	0.95	2	FF91026-20

Field attachable - FC800

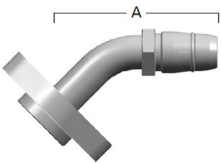
The following BOCK fittings are MTO. The nipple and the socket must be ordered separately. Contact Danfoss Customer Service to determine lead time.

BOCK, straight



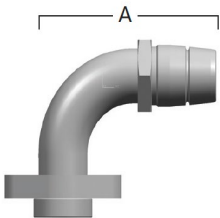
Part #	Hose Hex Size	Tube Size	Thread Size	A		Hose Cut-off Factor		Hole Diameter		Nipple	Part # Socket	Socket Hex
				mm	in	mm	in	mm	in			
GA25126-16	16	16	-	96.0	3.78	66.5	2.62	17.5	0.69	24	G1212-16K	36
GA25126-20	20	20	-	101.5	4.00	68.0	2.68	24.2	0.95	36	G1212-20K	46
GA25126-24	24	24	-	96.0	3.78	53.4	2.10	29.5	1.16	46	G1212-24K	50

Bock, 45° tube elbow



Part # For Hose Nipple	Hose Size	Tube Size	Thread Size	A		Hose Cut-off Factor		Drop Diameter		Hole Diameter		Nipple Hex	Part # Socket	Socket Hex
				mm	in	mm	in	mm	in	mm	in			
GA25126-16	16	16	-	114.1	4.49	84.6	3.33	46.1	1.81	17.5	0.69	24	G1212-16K	36
GA25126-20	20	20	-	122.6	4.83	89.1	3.51	46.1	1.81	24.2	0.95	36	G1212-20K	46
GA25126-24	24	24	-	134.7	5.30	99.7	3.93	38.0	1.50	29.5	1.16	46	G1212-24K	50

BOCK, 90° tube elbow



Part # For Hose Nipple	Hose Size	Tube Size	Thread Size	A		Hose Cut-off Factor		Drop Diameter		Hole Diameter		Nipple Hex	Part # Socket	Socket Hex
				mm	in	mm	in	mm	in	mm	in			
GA25128-16	16	16	-	81.5	3.21	52.0	2.05	55.4	2.18	17.5	0.69	24	G1212-16K	36
GA25128-24	20	24	-	109.5	4.31	74.5	2.93	90.5	3.56	29.5	1.16	46	G1212-16K	50

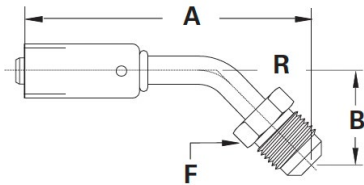
Crimp fittings



757 "E" series - EC007

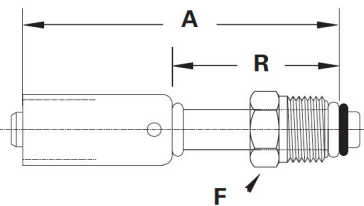
To determine the correct length of hose, subtract the cut-off factor for each end fitting from the overall length of assembly. All dimensions shown in inches.

Bumped tube O-ring male rigid



Part #	Hose I.D.	Tube Size	Thread Size	Length A	Run R	Hose Cut-off Factor	Hex F
75706E-W06	5/16	3/8	5/8-18	2.94	1.54	1.63	5/8
75708E-W08	13/32	1/2	3/4-16	3.26	1.86	2.00	3/4
75710E-W10	1/2	5/8	7/8-14	3.35	1.95	2.13	7/8
75712E-W10	5/8	5/8	7/8-14	3.56	2.06	2.25	7/8
75712E-W12	5/8	3/4	1-1/16-14	3.56	2.06	2.25	1-1/16

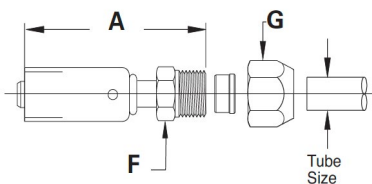
Bumped tube O-ring male swivel



Part #	Hose I.D.	Tube Size	Thread Size	Length A	Run R	Hose Cut-off Factor	Hex F	O-Ring
75706E-Z06	5/16	3/8	5/8-18	2.94	1.54	1.63	5/8	ZW74706
75706E-Z08	5/16	1/2	3/4-18	3.15	1.75	1.88	3/4	ZW74708
75708E-Z08	13/32	1/2	3/4-18	3.26	1.86	2.00	3/4	ZW74708
75710E-Z10	1/2	5/8	7/8-18	3.35	1.95	2.13	7/8	ZW74710
75710E-Z12	1/2	3/4	1-1/16-16	3.46	2.06	2.25	1-1/16	ZW74712
75712E-Z10	5/8	5/8	7/8-18	3.56	2.06	2.25	7/8	ZW74710
75712E-Z12	5/8	3/4	1-1/16-16	3.56	2.06	2.25	1-1/16	ZW74712

(Includes O-ring)

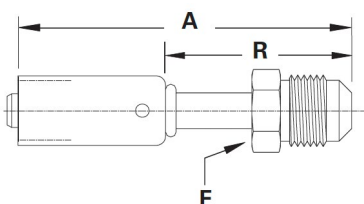
Male rigid compression fitting (with nut and sleeve)



Part #	Hose I.D.	Tube Size	Thread Size	Length A	Hose Cut-off Factor	Hex F	Hex G
75706E-756	5/16	3/8	5/8-18	2.59	1.38	5/8	3/4
75708E-758	5/16	1/2	3/4-16	2.71	1.50	3/4	7/8
75710E-756	13/32	5/8	5/8-18	2.65	1.38	5/8	3/4
75712E-758	13/32	5/8	3/4-16	2.78	1.50	3/4	7/8
75712E-760	13/32	3/4	7/8-14	2.90	1.63	7/8	1-1/16
75712E-758	1/2	3/4	3/4-16	2.84	1.63	3/4	7/8
75712E-760	1/2	3/4	7/8-14	2.90	1.63	7/8	1-1/16
75712E-760	5/8	3/4	7/8-14	3.13	1.75	7/8	1-1/16
75712E-762	5/8	3/4	1-1/16-14	3.25	1.88	1-1/16	1-1/4

Flareless - see page H-15 for assembly instructions

SAE 45° male rigid

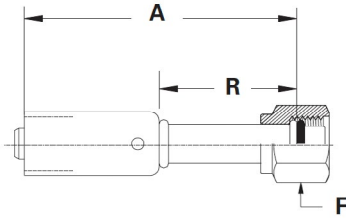


Part #	Hose I.D.	Tube Size	Thread Size	Length A	Run R	Hose Cut-off Factor	Hex F
75706E-306	5/16	3/8	5/8-18	3.28	1.88	2.00	5/8
75708E-308	13/32	1/2	3/4-16	3.40	2.00	2.13	3/4
75710E-310	1/2	5/8	7/8-14	3.71	2.31	2.50	7/8
75712E-312	5/8	3/4	1-1/16-14	4.00	2.50	2.75	1-1/16

757 "E" series - EC007

To determine the correct length of hose, subtract the cut-off factor for each end fitting from the overall length of assembly. All dimensions shown in inches.

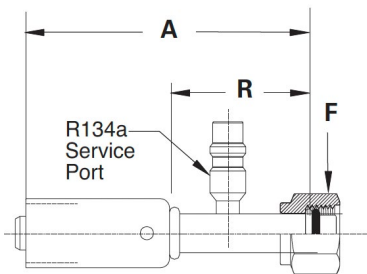
Bumped tube O-ring Female swivel



Part #	Hose I.D.	Tube Size	Thread Size	Length A	Run R	Hose Cut-off Factor	Hex F	O-Ring
75706E-Z47	5/16	3/8	5/8-18	2.78	1.38	1.50	3/4	ZW74706
75706E-Z49	5/16	1/2	3/4-16	2.90	1.50	1.63	7/8	ZW74708
75708E-Z49	13/32	1/2	3/4-16	3.06	1.66	1.75	7/8	ZW74708
75708E-Z51	13/32	5/8	7/8-14	3.09	1.69	1.88	1-1/16	ZW74710
75708E-Z51	1/2	5/8	7/8-14	3.09	1.69	1.88	1-1/16	ZW74710
75708E-Z53	1/2	3/4	1-1/16-14	3.21	1.81	2.00	1-1/4	ZW74712
75708E-Z51	5/8	5/8	7/8-14	3.31	1.81	2.00	1-1/16	ZW74710
75708E-Z53	5/8	3/4	1-1/16-14	3.31	1.81	2.00	1-1/4	ZW74712

(Includes O-ring)

Bumped tube O-ring Female swivel w/R134a service port



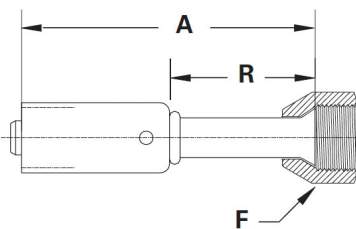
Part #	Hose I.D.	Tube Size	Thread Size	Length A	Run R	Hose Cut-off Factor	Hex F	O-Ring
75706E-Z57*	5/16	3/8	5/8-18	4.28	1.88	3.00	3/4	ZW74706
75706E-Z59*	13/32	1/2	3/4-16	4.28	1.88	3.00	7/8	ZW74708
75708E-Z61**	1/2	5/8	7/8-14	4.52	2.12	3.25	1-1/16	ZW74710
75708E-Z61**	5/8	5/8	7/8-14	4.62	3.05	3.25	1-1/16	ZW74710

* High side port

** Low side port

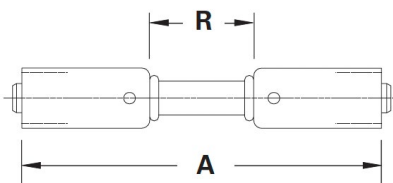
(Includes O-ring)

SAE 45° flare female swivel



Part #	Hose I.D.	Tube Size	Thread Size	Length A	Run R	Hose Cut-off Factor	Hex F
75706E-406	5/16	3/8	5/8-18	2.78	1.38	1.50	3/4
75706E-408	5/16	1/2	3/4-16	2.90	1.50	1.75	7/8
75708E-408	13/32	1/2	3/4-16	2.84	1.44	1.56	7/8
75708E-410	1/2	5/8	7/8-14	3.09	1.69	1.81	1-1/16
75708E-410	5/8	5/8	7/8-14	3.25	1.75	2.00	1-1/16
75708E-412	5/8	3/4	1-1/16-14	3.25	1.75	2.00	1-1/16

Hose splicer



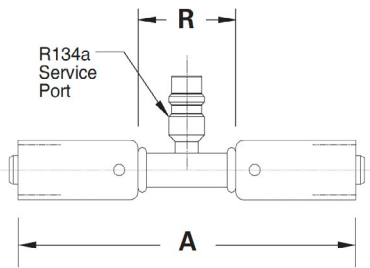
Part #	Hose I.D.	Tube Size	Length A	Run R	Hose Cut-off Factor
75706E-Y36	5/16	5/16	4.30	1.50	1.50
75706E-738	5/16	13/32	4.30	1.50	1.50
75708E-Y38	13/32	13/32	4.30	1.50	1.50
75708E-Y40	13/32	1/2	4.43	1.63	1.63
75710E-Y40	1/2	1/2	4.43	1.63	1.63
75710E-Y41	1/2	5/8	4.65	1.75	1.75
75712E-Y41	5/8	5/8	4.75	1.75	1.75

(Includes O-ring)

757 "E" series - EC007

To determine the correct length of hose, subtract the cut-off factor for each end fitting from the overall length of assembly. All dimensions shown in inches.

Hose splicer w/R134a service port

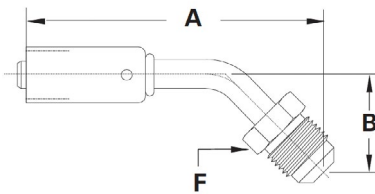


Part #	Hose I.D.	Length A	Run R	Hose Cut-off Factor
75706E-Y47*	5/16	5.42	2.62	1.50
75708E-Y48*	5/16	5.42	2.62	1.50
75710E-Y49**	13/32	5.42	2.62	1.63
75712E-Y50**	13/32	5.62	2.62	1.75

* High side port

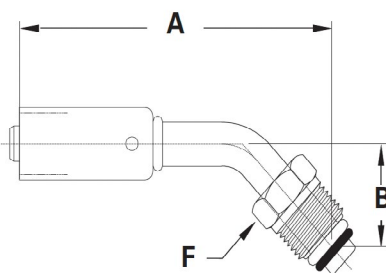
** Low side port

SAE 45° flare male rigid 45° tube elbow



Part #	Hose I.D.	Tube Size	Thread Size	Length A	Drop B	Hose Cut-off Factor	Hex F
75708E-388	13/32	1/2	3/4-16	3.65	1.25	2.50	3/4
75710E-390	1/2	5/8	7/8-14	4.21	1.56	3.00	7/8

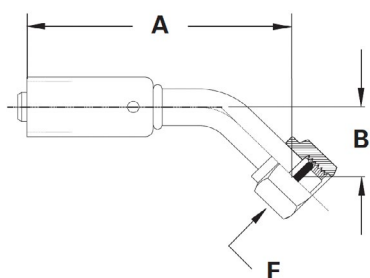
Bumped tube O-ring male swivel 45° tube elbow



Part #	Hose I.D.	Tube Size	Thread Size	Length A	Run B	Hose Cut-off Factor	Hex F	O-Ring
75706E-Z26	5/16	3/8	5/8-18	3.09	0.88	1.88	5/8	ZW74706
75708E-Z28	13/32	1/2	3/4-16	3.59	1.03	2.38	3/4	ZW74708
75710E-Z30	1/2	5/8	7/8-14	3.71	1.06	2.50	7/8	ZW74710
75712E-Z30	5/8	5/8	7/8-14	4.19	1.19	2.88	7/8	ZW74710
75712E-Z32	5/8	3/4	1-1/16-14	4.19	1.19	2.88	1-1/16	ZW74712

(Includes O-ring)

Bumped tube O-ring female swivel 45° tube elbow



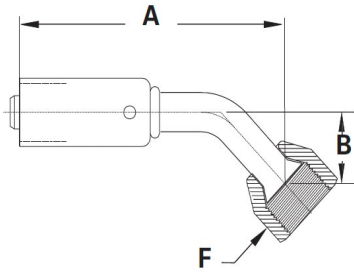
Part #	Hose I.D.	Tube Size	Thread Size	Length A	Run B	Hose Cut-off Factor	Hex F	O-Ring
75706E-W47	5/16	3/8	5/8-18	3.51	0.68	2.25	3/4	ZW74706
75708E-W49	13/32	1/2	3/4-16	3.63	1.05	2.25	7/8	ZW74708
75710E-W51	1/2	5/8	7/8-14	3.65	1.19	2.50	1-1/16	ZW74710
75712E-W51	5/8	5/8	7/8-14	4.00	1.29	2.75	1-1/16	ZW74710
75712E-W53	5/8	3/4	1-1/16-14	3.84	0.94	2.50	1-1/4	ZW74712

(Includes O-ring)

757 "E" series - EC007

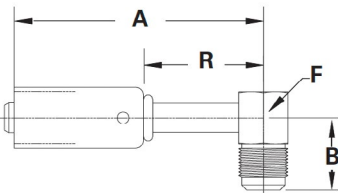
To determine the correct length of hose, subtract the cut-off factor for each end fitting from the overall length of assembly. All dimensions shown in inches.

SAE 45° flare female swivel 45° tube elbow



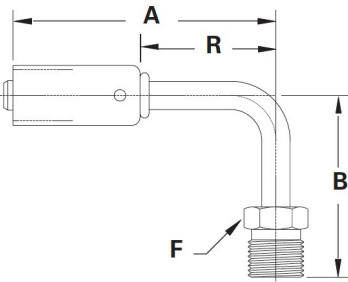
Part #	Hose I.D.	Tube Size	Thread Size	Length A	Drop B	Hose Cut-off Factor	Hex F
75706E-486	5/16	3/8	5/8-18	3.42	0.55	2.00	3/4
75706E-488	13/32	1/2	3/4-16	3.72	0.58	2.50	7/8
75708E-490	1/2	5/8	7/8-14	4.34	0.72	3.00	1-1/16

SAE 45° male rigid 90° elbow



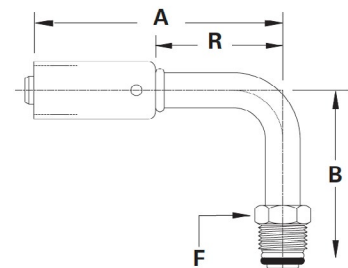
Part #	Hose I.D.	Tube Size	Thread Size	Length A	Run R	Drop B	Hose Cut-off Factor	Hex Square F
75706E-X06	5/16	3/8	5/8-18	4.07	2.67	0.91	3.00	5/8
75706E-X08	13/32	1/2	3/4-16	4.14	2.74	1.47	3.00	7/8
75708E-X10	1/2	3/8	7/8-14	4.25	2.85	1.47	3.00	7/8
75708E-X12	5/8	1/2	1-1/16-14	4.45	2.95	1.56	3.00	1-1/16

SAE 45° flare female swivel 45° tube elbow



Part #	Hose I.D.	Tube Size	Thread Size	Length A	Run R	Drop B	Hose Cut-off Factor	Hex F
75706E-W66	5/16	3/8	5/8-18	4.00	2.60	1.53	2.75	5/8
75706E-W68	13/32	1/2	3/4-16	4.07	2.67	2.12	2.75	3/4
75708E-W70	1/2	5/8	7/8-14	4.15	2.75	2.21	2.88	7/8

SAE 45° male rigid 90° elbow



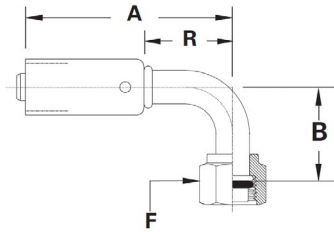
Part #	Hose I.D.	Tube Size	Thread Size	Length A	Run R	Drop B	Hose Cut-off Factor	Hex F	O-Ring
75706E-Z66	5/16	3/8	5/8-18	4.00	2.60	1.53	2.75	5/8	ZW74706
75706E-Z68	5/16	1/2	3/4-18	4.07	2.67	1.53	2.75	3/4	ZW74708
75708E-Z66	13/32	3/8	5/8-18	4.00	2.60	1.77	2.75	5/8	ZW74706
75708E-Z68	13/32	1/2	3/4-18	4.07	2.67	2.12	2.75	3/4	ZW74708
75710E-Z70	1/2	5/8	7/8-18	4.15	2.75	2.21	2.88	7/8	ZW74710
75710E-Z72	1/2	3/4	1-1/16-16	4.25	2.85	2.35	3.00	1-1/16	W74712
75712E-Z70	5/8	5/8	7/8-18	4.24	2.74	2.25	2.88	7/8	ZW74710
75712E-Z72	5/8	3/4	1-1/16-16	4.35	2.85	2.87	3.00	1-1/16	W74712

(Includes O-ring)

757 "E" series - EC007

To determine the correct length of hose, subtract the cut-off factor for each end fitting from the overall length of assembly. All dimensions shown in inches.

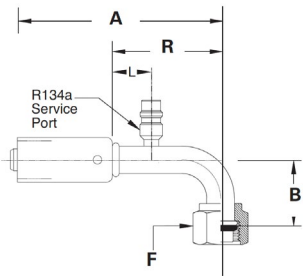
Bumped tube O-ring female swivel 90° tube elbow



Part #	Hose I.D.	Tube Size	Thread Size	Length A	Run R	Drop B	Hose Cut-off Factor	Hex F	O-Ring
75706E-Z87	5/16	3/8	5/8-18	4.07	2.67	1.12	2.75	3/4	ZW74706
75706E-Z89	5/16	1/2	3/4-16	4.14	2.74	1.31	2.88	7/8	ZW74708
75708E-Z87	13/32	3/8	5/8-18	4.07	2.67	1.31	2.75	3/4	ZW74706
75708E-Z89	13/32	1/2	3/4-16	4.14	2.74	1.50	2.88	7/8	ZW74708
75710E-Z91	1/2	5/8	7/8-14	4.25	2.85	1.75	3.00	1-1/16	ZW74710
75712E-Z91	5/8	5/8	7/8-14	4.35	2.85	1.75	3.00	1-1/16	ZW74710
75712E-Z93	5/8	3/4	1-1/16-14	4.45	2.85	1.75	3.13	1-1/4	ZW74712

(Includes O-ring)

Bumped tube O-ring female swivel 90° tube elbow w/ R134a service port



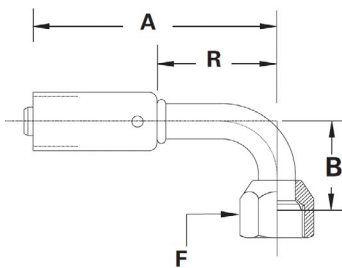
Part #	Hose I.D.	Tube Size	A	Thread Size	Run R	Drop B	Hose Cut-off Factor	Hex F	Length L	O-Ring
75706E-Z97*	5/16	3/8	2.52	5/8-18	2.12	1.12	2.75	3/4	1.50	ZW74706
75708E-Z99*	13/32	1/2	4.15	3/4-16	2.75	1.68	2.88	7/8	1.50	ZW74708
75710E-Z01**	1/2	5/8	3.78	7/8-14	2.38	1.50	3.00	1-1/16	1.50	ZW74710
75712E-Z01**	5/8	5/8	4.61	7/8-14	3.11	1.95	3.00	1-1/16	1.50	ZW74710

(Includes O-ring)

*High-side port

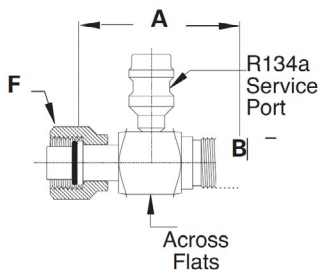
**Low side port

SAE 45° flare female swivel 90° tube elbow



Part #	Hose I.D.	Tube Size	A	Thread Size	Run R	Drop B	Hose Cut-off Factor	Hex F
75706E-466	5/16	3/8	4.07	5/8-18	2.67	1.12	2.75	3/4
75708E-468	13/32	1/2	4.14	3/4-16	2.74	1.31	2.88	7/8
75710E-470	1/2	5/8	4.25	7/8-14	2.85	1.56	3.00	1-1/16
75712E-470	5/8	5/8	4.35	7/8-14	2.85	1.50	3.00	1-1/16
75712E-472	5/8	3/4	4.45	1-1/16-14	2.95	1.75	3.13	1-1/4

Bumped tube O-ring service port adapter w/R134a service port



Part #	Tube A	Thread Size	Length A	Across Flats	Hex F	O-Ring
75701*	3/8	5/8-18	2.02	5/81	3/4	ZW74706
75702*	1/2	3/4-16	2.22	7/8	7/8	ZW74708
75704**	5/8	7/8-14	2.63	7/8	1-1/16	ZW74710
75706**	3/4	1-1/16-14	2.89	1-1/16	1-1/4	ZW74712

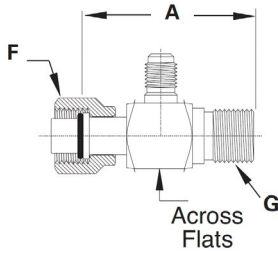
(Includes O-ring)

*High-side port

**Low side port

757 "E" series - EC007

Bumped tube O-ring service port adapter w/ R12 service port



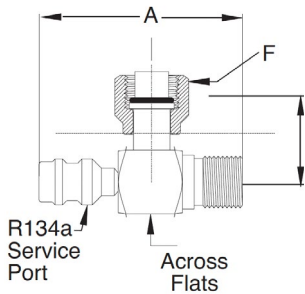
Part #	Tube Size	Thread Size G	Length A	Across Flats	Hex F	Service Port Thread	O-Ring
R12-Z56*	3/8	5/8-18	2.02	5/81	3/4	3/8-24	ZW74706
R12-Z58*	1/2	3/4-16	2.22	7/8	7/8	3/8-24	ZW74708
R12-Z60**	5/8	7/8-14	2.63	7/8	1-1/16	3/8-24	ZW74710
R12-Z62**	3/4	1-1/16-14	2.89	1-1/16	1-1/4	7/16-20	ZW74712

(Includes O-ring)

*High side port

** Low side port

90° bumped tube O-ring R134a service port adapter



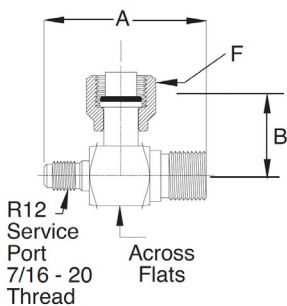
Part #	Tube Size	Thread Size G	Length A	Drop B	Across Flats	Hex F	O-Ring
75729*	3/8	5/8-18	2.40	1.05	5/8	3/4	ZW74706
75730*	1/2	3/4-16	2.60	1.15	7/8	7/8	ZW74708
75731**	5/8	7/8-14	2.74	1.30	7/8	1-1/16	ZW74710
75732**	3/4	1-1/16-14	3.10	1.39	1-1/16	1-1/4	ZW74712

(Includes O-ring)

*High side port

** Low side port

90° bumped tube O-ring R12 service port adapter



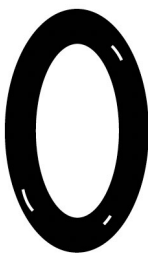
Part #	Tube Size	Thread Size G	Length A	Drop B	Across Flats	Hex F	O-Ring
R12-Z96*	3/8	5/8-18	2.07	1.05	5/8	3/4	ZW74706
R12-Z97*	1/2	3/4-16	2.27	1.15	7/8	7/8	ZW74708
R12-Z98**	5/8	7/8-14	2.41	1.30	7/8	1-1/16	ZW74710
R12-Z99**	3/4	1-1/16-16	2.77	1.39	1-1/16	1-1/4	ZW74712

(Includes O-ring)

*High side port

** Low side port

Replacement O-rings



Part #	Tube O.D.
ZW74706	3/8
ZW74708	1/2
ZW74710	5/8
ZW74712	3/4

Material

Hydrogenated Nitrile (HNBR), 70 Durometer

Temperature range

-40 °F to +250 °F

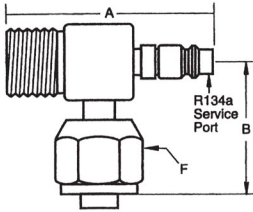
(-40 °C to +121 °C)

Color

Green

757 "E" series - EC007

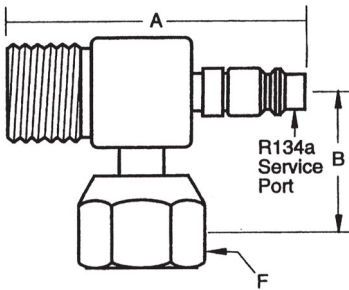
Tube-O to male bumped tube O-ring 90° elbow with R134a service



Part #	Tube Size	Length A	Drop B	Tube-O Thread F
75750*	1/2	2.64	1.15	3/4-16
75751**	5/8	2.78	1.29	7/8-14

* High side
** Low side

Rotalok to male bumped tube O-ring 90° elbow with R134a service

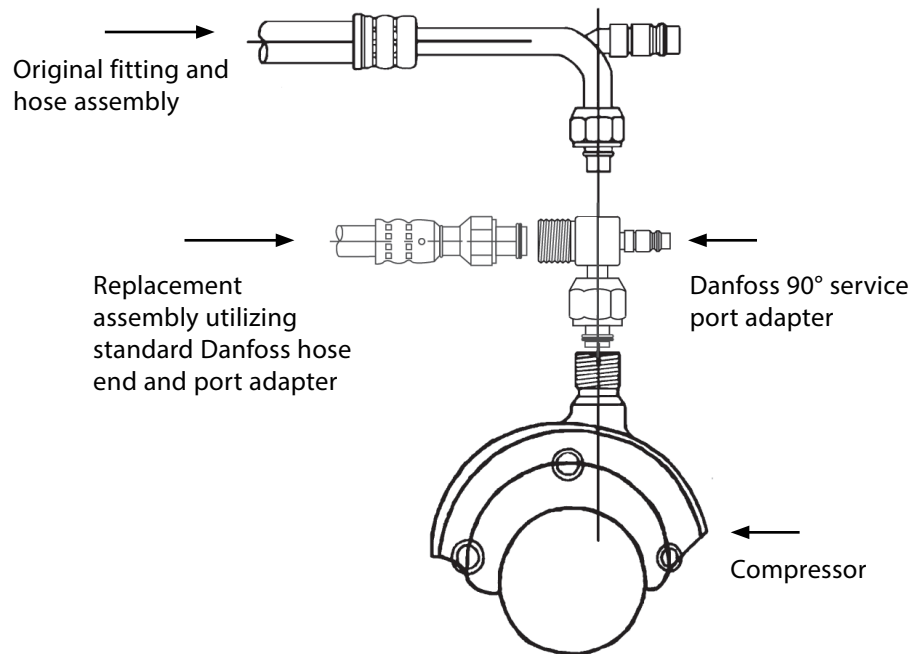


Part #	Tube Size	Length A	Drop B	Tube-O Thread F
75760*	1/2	2.64	1.15	1-14
75761**	5/8	2.78	1.29	1-14

* High side
** Low side

Service instruction for replacement of damaged O.E. hose assemblies

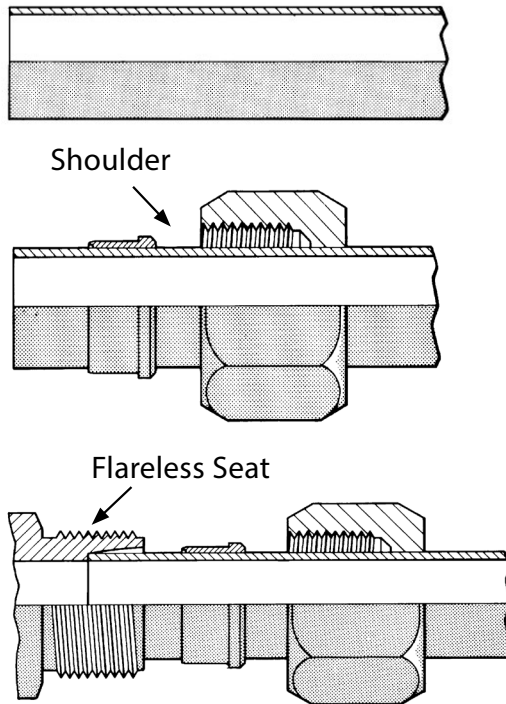
Danfoss service port adapters offer an alternative to the high cost of replacement and time out of service which can occur when an air conditioning assembly is damaged. By using the Danfoss adapter, service personnel can remove the damaged end and replace it with a standard Danfoss 757 "E" series hose end used in conjunction with a Danfoss service port adapter. This is a welcome solution to get your customer back on the road without special orders and long delays.



757 "E" series - EC007

757 "E" series air conditioning procedure

The crimp machine system can be used to make original equipment assemblies using factory replacement ends. If the required hose end is not found, our Flareless hose end can be used. By following the instructions on this page, a new hose assembly can be made by combining Danfoss hose end with the original equipment end configuration.



Compensate for tubing being removed by adding to the overall length of the replacement hose assembly.

Preparation – Flareless tube assembly

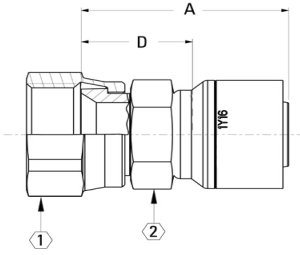
1. Remove the bad tube assembly or if room permits, perform the cutting procedure in place.
2. Cut the tube squarely and as close to the hose connection as possible.
3. Allow an adequate straight area for the flareless nut and sleeve to move freely for installation purposes.
4. Deburr the inside and outside diameters of the tubing.

Make presetting operation

1. Slide nut and then sleeve onto tube. Shoulder of sleeve must be toward nut.
2. Lubricate threads, seat in hose end, and flareless sleeve with a good grade of lubricant.
3. Insert tube into seat of hose end, making sure that tube is bottomed, **TIGHTEN HAND TIGHT** and then tighten an **ADDITIONAL 1 to 1-1/6 turns** with a wrench.

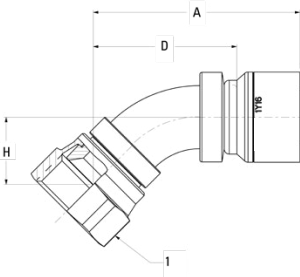
757 "E" series - EC007

SAE 37° swivel straight



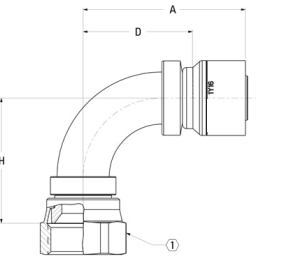
Part #	Tube Size	Thread	A Ref Inch	A Ref mm	D Ref Inch	D Ref mm	① Ref	② Ref
1Y16FJ16	16	1-5/16-12	2.27	57.6	1.22	30.9	1-1/2	1-1/4
1Y20FJ20	20	1-5/8-12	2.80	71.1	1.50	38.1	2	1-9/16
1Y24FJ24	24	1-7/8-12	3.29	83.5	1.69	42.9	2-1/4	1-13/16

SAE 37° swivel 45° elbow



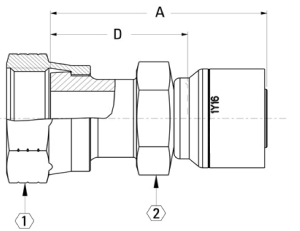
Part #	Tube Size	Thread	A Ref Inch	A Ref mm	D Ref Inch	D Ref mm	H Ref Inch	H Ref mm	① Ref
1Y16FJA16	16	1-5/16-12	3.28	83.2	2.27	57.7	1.07	27.1	1-1/2
1Y20FJA20	20	1-5/8-12	3.72	94.5	2.54	64.5	1.22	31.0	2
1Y24FJA24	24	1-7/8-12	5.66	143.8	4.15	105.5	1.89	48.0	2-1/4

SAE 37° swivel 90° elbow



Part #	Tube Size	Thread	A Ref Inch	A Ref mm	D Ref Inch	D Ref mm	H Ref Inch	H Ref mm	① Ref
1Y16FJB16	16	1-5/16-12	3.09	78.5	2.08	52.9	2.39	60.7	1-1/2
1Y20FJB20	20	1-5/8-12	3.54	89.9	2.35	59.6	2.75	69.8	2
1Y24FJB24	24	1-7/8-12	4.15	105.5	2.65	67.2	3.17	80.6	2-1/4

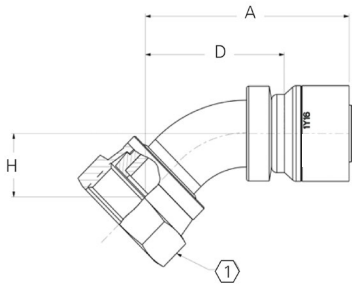
ORS swivel 45° elbow



Part #	Tube Size	Thread	A Ref Inch	A Ref mm	D Ref Inch	D Ref mm	① Ref	② Ref
1Y16FR16	16	1-7/16-12	2.87	72.9	1.82	46.2	41	36
1Y20FR20	20	1-11/8-12	3.37	85.6	2.07	52.6	1-7/8	1-5/8
1Y24FR24	24	2-12	3.81	96.8	2.21	56.2	2-1/4	2

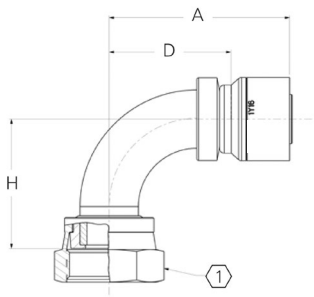
757 "E" series - EC007

ORS swivel 45° elbow



Part #	Tube Size	Thread	A Ref Inch	A Ref mm	D Ref Inch	D Ref mm	H Ref Inch	H Ref mm	Ⓛ Ref
1Y16FRA16	16	1-7/16-12	3.16	80.2	2.15	54.7	0.94	24.0	1-5/8
1Y20FRA20	20	1-11/32-12	3.60	91.4	2.42	61.4	0.98	25.0	1-7/8
1Y24FRA24	24	2-12	4.06	103.0	2.55	64.7	1.07	27.3	2-1/4

ORS swivel 90° elbow



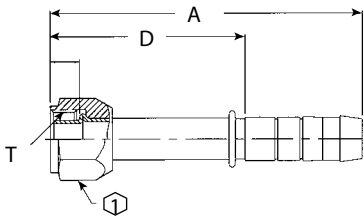
Part #	Tube Size	Thread	A Ref Inch	A Ref mm	D Ref Inch	D Ref mm	H Ref Inch	H Ref mm	Ⓛ Ref
1Y16FRB16	16	1-7/16-12	3.09	78.5	2.08	52.9	2.22	56.4	1-5/8
1Y20FRB20	20	1-11/32-12	3.53	89.5	2.35	59.6	2.50	63.5	1-7/8
1Y24FRB24	24	2-12	4.15	105.5	2.65	67.2	2.70	68.6	2-1/4

Fittings - Factory crimp



Factory crimp - GH001 and EC007

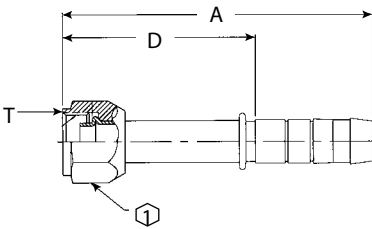
FJ4905



Female O-ring (long pilot)

Part #	TH'D "T"	Hose Size	A Ref	D Ref	F Ref	H Ref	① Ref
FJ4905-07-0606S	5/8-18	6	2.98	1.94	—	—	0.75
FJ4905-02-0606S	5/8-18	6	4.08	3.04	—	—	0.75
FJ4905-04-0606S	5/8-18	6	2.85	1.82	—	—	0.75
FJ4905-01-0808S	3/4-16	8	4.21	3.07	—	—	0.88
FJ4905-08-0808S	3/4-16	8	3.72	2.58	—	—	0.88
FJ4905-10-0808S	3/4-16	8	2.50	1.38	—	—	0.88
FJ4905-09-0810S	7/8-14	10	4.14	2.62	—	—	0.88
FJ4905-05-1010S	7/8-14	10	4.33	2.81	—	—	1.06
FJ4905-03-1012S	1-1/16-14	12	4.69	2.93	—	—	1.06
FJ4905-09-1212S	1-1/16-14	12	4.99	3.22	—	—	1.25

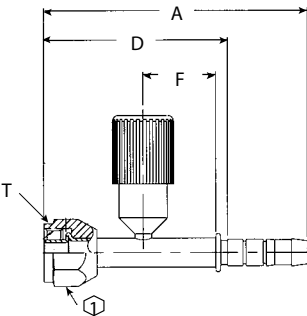
FJ4906



Female O-ring (short pilot)

Part #	TH'D "T"	Hose Size	A Ref	D Ref	F Ref	H Ref	① Ref
FJ4906-03-0606S	5/8-18	6	3.00	1.95	—	—	0.75
FJ4906-04-0808S	3/4-16	8	3.59	2.46	—	—	0.88
FJ4906-05-1010S	7/8-14	10	4.27	2.75	—	—	1.06
FJ4906-01-1012S	7/8-14	12	4.66	2.90	—	—	1.06
FJ4906-06-1212S	1-1/16-14	12	5.19	3.43	—	—	1.25
FJ4906-06-0606S	5/8-18	6	2.49	1.45	—	—	0.75
FJ4906-07-0806S	3/4-16	6	3.16	2.11	—	—	0.88

FJ4917/ FJ2815

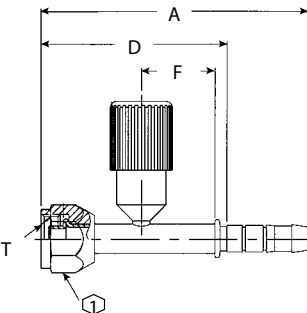


Female O-ring (long pilot) with high side charge port

Part #	TH'D "T"	Hose Size	A Ref	D Ref	F Ref	H Ref	① Ref
FJ4917-01-0606S*	5/8-18	6	3.43	2.39	0.94	—	0.75
FJ4917-02-0808S*	3/4-16	8	3.74	2.60	0.94	—	0.88
FJ4917-03-1010S*	7/8-14	10	4.00	2.88	0.94	—	1.06
FJ2815-01-0606S*	M18 x 1.5	6	4.62	3.58	0.94	—	0.88

* MTO (made to order)

FJ4919



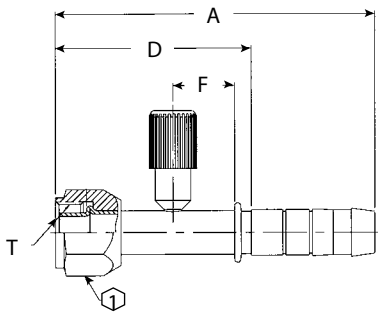
Female O-ring (short pilot) with high side charge port

Part #	TH'D "T"	Hose Size	A Ref	D Ref	F Ref	H Ref	① Ref
FJ4919-01-0606S*	5/8-18	6	3.42	2.38	0.94	—	0.75
FJ4919-02-0808S	3/4-16	8	3.73	2.14	1.12	—	0.88
FJ4919-03-1212S*	1-1/16-14	12	4.00*	2.88	0.94	—	1.25

* MTO (made to order)

Factory crimp - GH001 and EC007

FJ4918

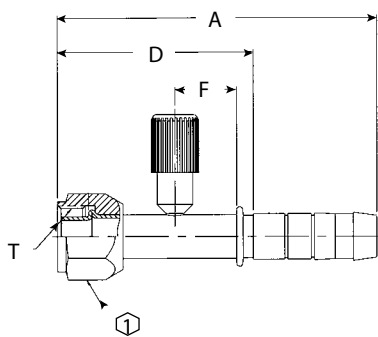


Female O-ring (long pilot) with low side charge port

Part #	TH'D "T"	Hose Size	A Ref	D Ref	F Ref	H Ref	① Ref
FJ4918-01-1010S*	7/8-14	10	4.33	2.81	0.88	—	0.88
FJ4918-02-1012S	7/8-14	12	4.57	2.80	0.88	—	0.88
FJ4918-03-1212S*	1-1/16-14	12	4.21	3.09	0.88	—	1.06

* MTO (made to order)

FJ4920

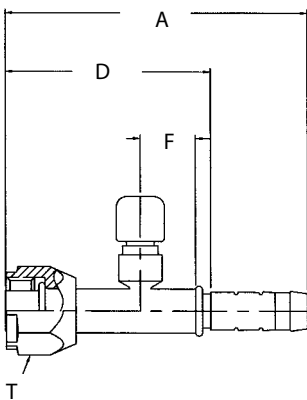


Female O-ring (short pilot) with low side charge port

Part #	TH'D "T"	Hose Size	A Ref	D Ref	F Ref	H Ref	① Ref
FJ4920-01-1010S	7/8-14	10	4.83	3.31	0.88	—	1.06
FJ4920-02-1012S*	7/8-14	12	3.93	2.81	0.88	—	1.06
FJ4920-03-1212S*	1-1/16-14	12	4.19	3.07	0.88	—	1.25

* MTO (made to order)

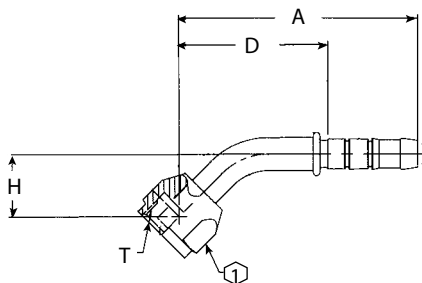
FJ2748 / FJ2822 / FJ2863



Straight female O-ring (long pilot) with switch port

Part #	TH'D "T"	Hose Size	A Ref	D Ref	F Ref	H Ref	① Ref
FJ2748-0808S	3/4-16	8	5.17	—	0.87	—	7/16-20
FJ2822-01-0808S	3/4-16	8	3.49	2.37	0.63	—	M10 x 1.25
FJ2863-01-0810S	3/4-16	10	4.51	12.99	0.63	—	M10 x 1.25

FJ2463

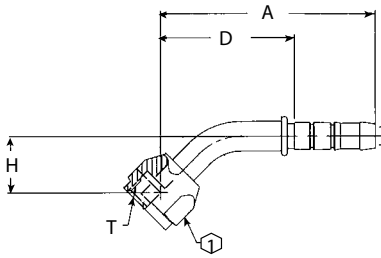


45° female O-ring (short pilot)

Part #	TH'D "T"	Hose Size	A Ref	D Ref	F Ref	H Ref	① Ref
FJ2463-01-0606S	5/8-18	6	2.74	1.70	—	0.71	0.75
FJ2463-04-1010S	7/8-14	10	3.92	2.40	—	1.19	1.06
FJ2463-02-0808S	3/4-16	8	3.07	1.93	—	0.87	0.88
FJ2463-03-1010S	7/8-14	10	4.22	2.48	—	1.12	1.06

Factory crimp - GH001 and EC007

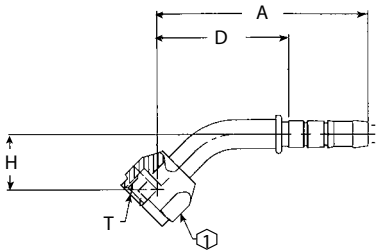
FJ2908



45° female O-ring (long pilot)

Part #	TH'D "T"	Hose Size	A Ref	D Ref	F Ref	H Ref	① Ref
FJ2908-02-0808S	3/4-16	8	3.07	1.93	0.87	—	0.88

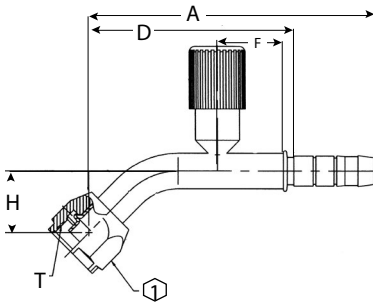
FJ2481



45° female O-ring (long pilot)

Part #	TH'D "T"	Hose Size	A Ref	D Ref	F Ref	H Ref	① Ref
FJ2481-1212S	1 1/16-14	12	2.75	—	—	1.02	1.25

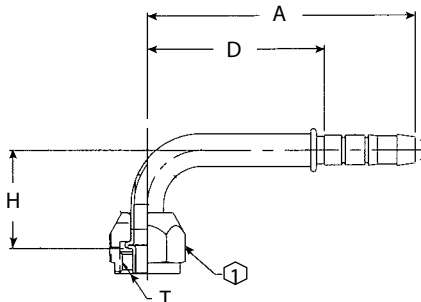
FJ2220 / FJ2221



45° female O-ring (short pilot) with charge port

Part #	TH'D "T"	Hose Size	A Ref	D Ref	F Ref	H Ref	① Ref
FJ2220-01-0808S	3/4-16	8	4.08	2.94	0.94	0.87	High
FJ2221-01-1010S	7/8-14	10	4.79	3.27	0.88	1.19	Low

FJ4907



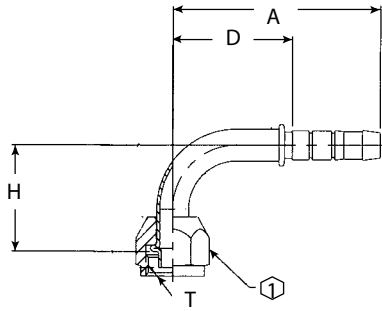
90° female O-ring (long pilot)

Part #	TH'D "T"	Hose Size	A Ref	D Ref	F Ref	H Ref	① Ref
FJ4907-02-0606S	5/8-18	6	3.06	2.03	—	1.25	0.75
FJ4907-04-0606S	5/8-18	6	2.78	1.75	—	1.38	0.75
FJ4907-09-0606S	5/8-18	6	3.10	2.07	—	2.40	0.75
FJ4907-03-0808S	3/4-16	8	2.79	1.65	—	1.62	0.88
FJ4907-11-0808S	3/4-16	8	2.79	1.65	—	2.95	0.88
FJ4907-07-1010S	7/8-14	10	3.46	1.93	—	1.89	1.06
FJ4907-05-1012S	7/8-14	12	3.75	1.99	—	1.80	1.06
FJ4907-12-1012S*	7/8-14	12	3.75	1.99	—	2.95	1.06
FJ4907-08-1212S	1-1/16-14	12	4.05	2.29	—	2.56	1.25
FJ4907-01-0606S	5/8-18	6	2.69	1.66	—	1.25	0.75

*MTO (made to order)

Factory crimp - GH001 and EC007

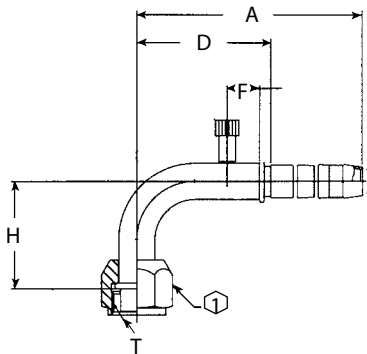
FJ4908



90° female O-ring (short pilot)

Part #	TH'D "T"	Hose Size	A Ref	D Ref	F Ref	H Ref	① Ref
FJ4908-02-0606S	5/8-18	6	2.46	1.42	—	1.25	0.75
FJ4908-01-0808S	3/4-16	8	2.79	1.65	—	1.68	0.88
FJ4908-05-1010S	7/8-14	10	3.46	1.94	—	2.00	1.06
FJ4908-04-1012S	7/8-14	12	3.75	1.99	—	2.00	1.06
FJ4908-06-1212S	1-1/16-14	12	4.06	2.29	—	2.30	1.25
FJ4908-09-0606S	5/8-18	6	2.48	1.42	—	2.50	0.75
FJ4908-10-0806S	3/4-16	6	2.74	1.68	—	1.88	0.88

FJ4921

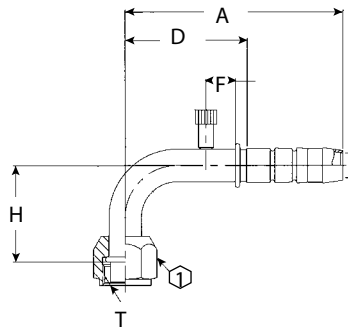


90° female O-ring (long pilot) with high side charge port

Part #	TH'D "T"	Hose Size	A Ref	D Ref	F Ref	H Ref	① Ref
FJ4921-01-0606S*	5/8-18	6	3.38	2.44	0.94	1.40	0.75
FJ4921-02-0808S	3/4-16	8	4.05	2.91	0.94	1.68	0.88
FJ4921-03-1010S*	7/8-14	10	4.10	3.00	0.94	2.00	1.06

*MTO (made to order)

FJ4922

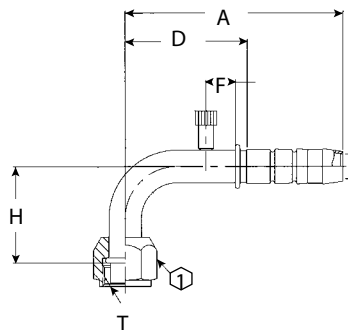


90° female O-ring (long pilot) with low side charge port

Part #	TH'D "T"	Hose Size	A Ref	D Ref	F Ref	H Ref	① Ref
FJ4922-01-1010S*	7/8-14	10	3.98	2.88	0.88	2.00	1.06
FJ4922-02-1012S	7/8-14	12	4.73	2.83	0.88	2.00	1.06
FJ4922-03-1212S*	1-1/16-14	12	4.24	3.13	0.88	2.30	1.25

*MTO (made to order)

FJ4923



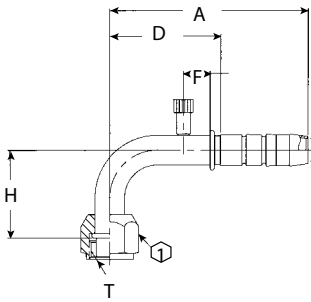
90° female O-ring (short pilot) with high side charge port

Part #	TH'D "T"	Hose Size	A Ref	D Ref	F Ref	H Ref	① Ref
FJ4923-01-0606S*	5/8-18	6	3.38	2.44	0.94	1.40	0.75
FJ4923-02-0808S	3/4-16	8	3.83	2.69	0.94	1.68	0.88
FJ4923-03-1010S*	7/8-14	10	4.10	3.00	0.94	2.00	1.06

*MTO (made to order)

Factory crimp - GH001 and EC007

FJ4924

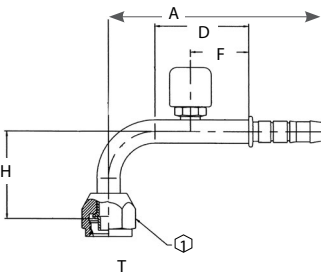


90° female O-ring (short pilot) with low side charge port

Part #	TH'D "T"	Hose Size	A Ref	D Ref	F Ref	H Ref	① Ref
FJ4924-01-1010S	7/8-14	10	4.39	2.88	0.88	2.00	1.06
FJ4924-02-1012S*	7/8-14	12	3.98	2.88	0.88	2.00	1.06
FJ4924-03-1212S*	1-1/16-14	12	4.24	3.13	0.88	2.30	1.25

* MTO (made to order)

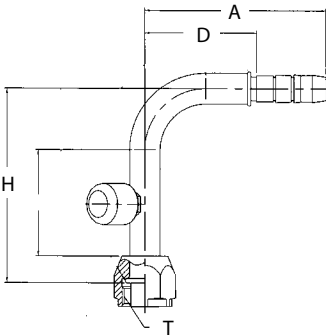
FJ2222



90° female O-ring (short pilot) with switch port

Part #	TH'D "T"	Hose Size	A Ref	D Ref	F Ref	H Ref	① Ref
FJ2222-01-0606S	5/8-18	6	3.45	1.51	0.94	1.40	7/16-20

EJ2083 / EJ2561

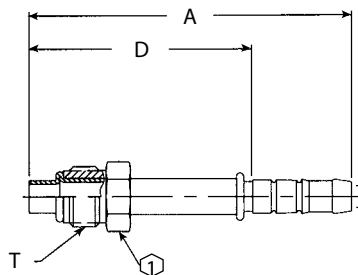


90° female O-ring (long pilot) with switch port

Part #	TH'D "T"	Hose Size	A Ref	D Ref	F Ref	H Ref	① Ref
EJ2083-01-0808S	3/4-16	8	2.97	1.83	*	3.15	7/16-20
EJ2561-01-0810S	3/4-16	10	4.46	2.94	*	1.68	M10 x 1.25

* Port located on drop

FJ4901



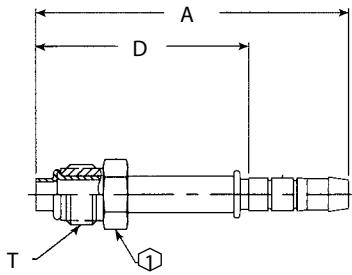
Male O-ring (long pilot)

Part #	TH'D "T"	Hose Size	A Ref	D Ref	F Ref	H Ref	① Ref
FJ4901-05-0606S	5/8-18	6	3.34	2.31	—	—	0.62
FJ4901-01-0606S	5/8-18	6	4.09	3.05	—	—	0.62
FJ4901-06-0808S*	3/4-18	8	3.81	2.88	—	—	0.75
FJ4901-03-1010S*	7/8-18	10	4.30	3.20	—	—	0.88
FJ4901-07-1012S*	7/8-18	12	4.32	3.20	—	—	0.88
FJ4901-04-1212S*	1-1/16-16	12	4.41	3.29	—	—	1.06

* MTO (made to order)

Factory crimp - GH001 and EC007

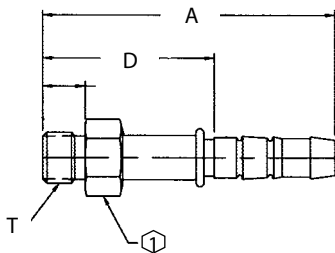
FJ4902



Male O-ring (short pilot)

Part #	TH'D "T"	Hose Size	A Ref	D Ref	F Ref	H Ref	① Ref
FJ4902-02-0606S	5/8-18	6	3.25	2.21	—	—	0.62
FJ4902-04-0808S	3/4-18	8	4.30	3.16	—	—	0.75
FJ4902-01-1010S	7/8-18	10	4.46	2.94	—	—	0.88
FJ4902-03-1012S	7/8-18	12	4.76	3.00	—	—	0.88
FJ4902-05-1212S	1-1/16-16	12	4.90	3.13	—	—	1.06

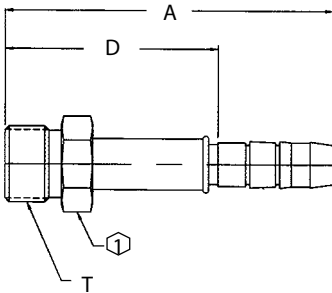
FJ2241



Straight male O-ring boss

Part #	TH'D "T"	Hose Size	A Ref	D Ref	F Ref	H Ref	① Ref
FJ2241-0406S	7/16-20	6	2.50	1.46	—	—	0.56

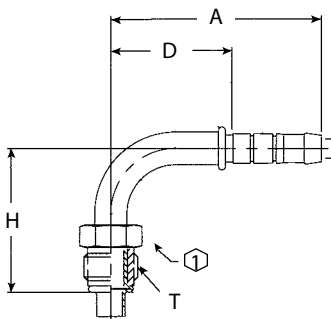
FJ2074 / FJ2710 / FJ2749



Straight MIO (male insert O-ring)

Part #	TH'D "T"	Hose Size	A Ref	D Ref	F Ref	H Ref	① Ref
FJ2074-05-0808S	3/4-16	8	3.25	2.11	—	—	0.81
FJ2074-02-1012S	7/8-14	12	4.35	2.59	—	—	0.94
FJ2710-0606S	5/8-18	6	4.16	3.12	—	—	0.69
FJ2749-1012S	7/8-14	12	5.08	3.32	—	—	0.94

FJ4903



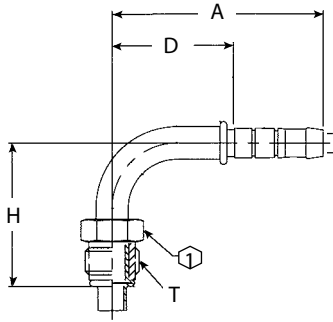
90° male O-ring (long pilot)

Part #	TH'D "T"	Hose Size	A Ref	D Ref	F Ref	H Ref	① Ref
FJ4903-01-0606S	5/8-18	6	2.44	1.40	—	1.65	0.62
FJ4903-02-0808S*	3/4-18	8	2.61	1.68	—	2.38	0.75
FJ4903-04-1010S*	7/8-18	10	3.11	2.00	—	2.69	0.88
FJ4903-03-1012S*	7/8-18	12	3.11	2.00	—	2.69	0.88
FJ4903-05-1212S*	1-1/16-16	12	3.36	2.24	—	2.79	1.06
FJ4903-09-0606S	5/8-18	6	2.43	1.40	—	1.97	0.62

* MTO (made to order)

Factory crimp - GH001 and EC007

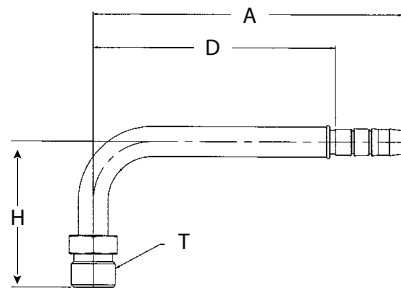
FJ4904



90° male O-ring (short pilot)

Part #	TH'D "T"	Hose Size	A Ref	D Ref	F Ref	H Ref	① Ref
FJ4904-01-0606S	5/8-18	6	2.44	1.40	—	1.65	0.62
FJ4904-05-0808S	3/4-18	8	2.79	1.65	—	2.10	0.75
FJ4904-02-1010S	7/8-18	10	3.45	1.93	—	3.00	0.88
FJ4904-03-1012S	7/8-18	12	3.75	1.98	—	2.45	0.88
FJ4904-04-1212S	1-1/16-16	12	4.05	2.29	—	2.79	1.06

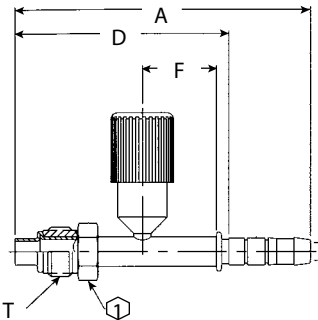
EJ2157



90° male MIO (male insert O-ring)

Part #	TH'D "T"	Hose Size	A Ref	D Ref	F Ref	H Ref	① Ref
EJ2157-01-0808S	3/4-16	8	5.23	4.09	—	2.44	0.25

FJ4909

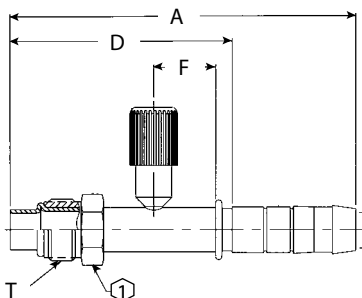


Male O-ring (long pilot) with high side charge port

Part #	TH'D "T"	Hose Size	A Ref	D Ref	F Ref	H Ref	① Ref
FJ4909-01-0606S	5/8-18	6	3.73	2.71	0.94	—	0.63
FJ4909-02-0808S	3/4-18	8	4.29	3.15	0.94	—	0.75
FJ4909-03-1010S*	7/8-18	10	4.29	3.15	0.94	—	0.88

* MTO (made to order)

FJ4910



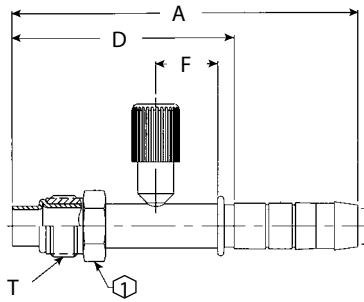
Male O-ring (long pilot) with low side charge port

Part #	TH'D "T"	Hose Size	A Ref	D Ref	F Ref	H Ref	① Ref
FJ4910-01-1010S*	7/8-18	10	4.95	3.20	0.88	—	0.88
FJ4910-02-1012S	7/8-18	12	4.95	3.20	0.88	—	0.88
FJ4910-03-1212S*	1-1/16-16	12	4.95	3.29	0.88	—	1.06

* MTO (made to order)

Factory crimp - GH001 and EC007

FJ4911

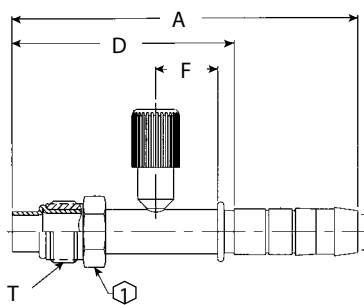


Male O-ring (short pilot) with high side charge port

Part #	TH'D "T"	Hose Size	A Ref	D Ref	F Ref	H Ref	① Ref
FJ4911-01-0606S*	5/8-18	6	3.57*	2.63	0.94	—	0.63
FJ4911-02-0808S*	3/4-18	8	3.92*	2.98	0.94	—	0.75
FJ4911-03-1010S*	7/8-18	10	4.95	3.00	0.94	—	0.88
FJ4911-05-0808S	3/4-18	8	5.36	4.22	0.99	—	0.75

* MTO (made to order)

FJ4912

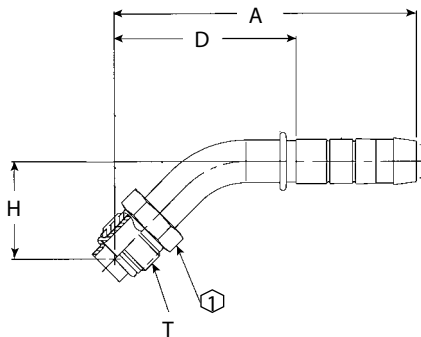


Male O-ring (short pilot) with low side charge port

Part #	TH'D "T"	Hose Size	A Ref	D Ref	F Ref	H Ref	① Ref
FJ4912-01-1010S*	7/8-18	10	4.95	3.00	0.88	—	0.88
FJ4912-05-1012S	7/8-18	12	6.10	4.34	0.99	—	0.88
FJ4912-03-1212S*	1-1/16-16	12	4.95	3.09	0.88	—	1.06

* MTO (made to order)

FJ2083

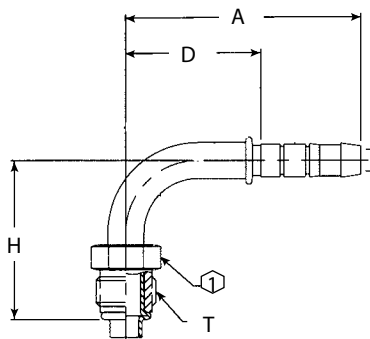


45° male O-ring (short pilot)

Part #	TH'D "T"	Hose Size	A Ref	D Ref	F Ref	H Ref	① Ref
FJ2083-01-1012S	7/8-18	12	4.44	2.68	—	1.42	1.06
FJ2083-02-0606S*	5/8-18	6	3.08	2.05	—	1.08	0.63

* MTO (made to order)

FJ4904 / FJ2072

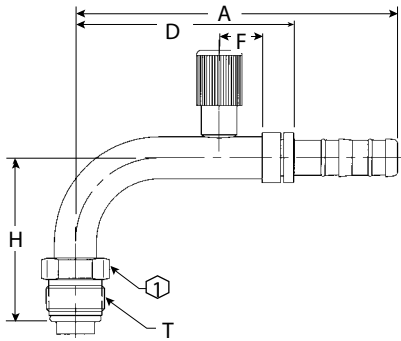


90° male O-ring (short pilot)

Part #	TH'D "T"	Hose Size	A Ref	D Ref	F Ref	H Ref	① Ref
FJ4904-01-0606S	5/8-18	6	2.44	1.40	—	1.65	0.62
FJ4904-05-0808S	3/4-18	8	2.79	1.65	—	2.38	0.75
FJ4904-02-1010S	7/8-18	10	3.45	1.93	—	3.00	0.88
FJ4904-03-1012S	7/8-18	12	3.75	1.98	—	2.69	0.88
FJ4904-04-1212S	1-1/16-16	12	4.05	2.29	—	2.79	1.06
FJ2072-1012S	7/8-18	12	3.50	1.74	—	3.32	0.88

Factory crimp - GH001 and EC007

FJ4913

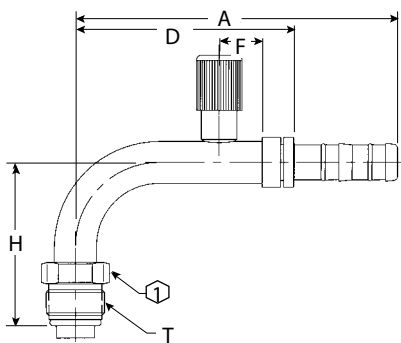


90° male O-ring (long pilot) with high side charge port

Part #	TH'D "T"	Hose Size	A Ref	D Ref	F Ref	H Ref	① Ref
FJ4913-01-0606S*	5/8-18	6	3.86	2.43	0.94	1.77	0.63
FJ4913-02-0808S*	3/4-18	8	3.86	2.68	0.94	2.37	0.75
FJ4913-03-1010S*	7/8-18	10	4.92	3.00	0.94	2.45	0.88

* MTO (made to order)

FJ4914

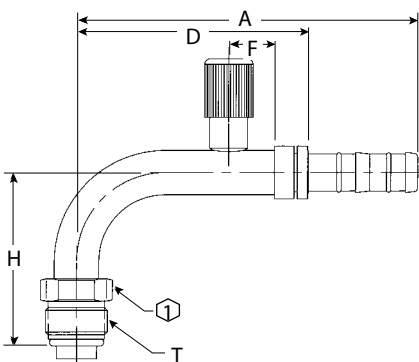


90° male O-ring (long pilot) with low side charge port

Part #	TH'D "T"	Hose Size	A Ref	D Ref	F Ref	H Ref	① Ref
FJ4914-01-1010S*	7/8-18	10	4.00	2.88	0.88	2.45	0.88
FJ4914-02-1012S*	7/8-18	12	4.00	2.88	0.88	2.45	0.88
FJ4914-03-1212S*	1-1/16-16	12	4.25	3.13	0.88	3.67	1.06

* MTO (made to order)

FJ4915

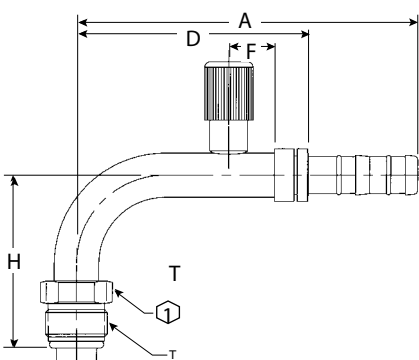


90° male O-ring (short pilot) with high side charge port

Part #	TH'D "T"	Hose Size	A Ref	D Ref	F Ref	H Ref	① Ref
FJ4915-01-0606S*	5/8-18	6	3.36	2.43	0.94	1.77	0.63
FJ4915-02-0808S	3/4-18	8	4.09	2.95	0.85	2.37	0.75
FJ4915-03-1010S*	7/8-18	10	4.12	3.00	0.94	2.45	0.88

* MTO (made to order)

FJ4916



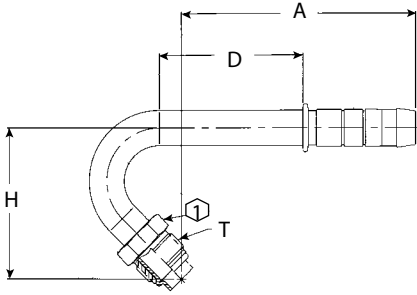
90° male O-ring (short pilot) with low side charge port

Part #	TH'D "T"	Hose Size	A Ref	D Ref	F Ref	H Ref	① Ref
FJ4916-01-1010S*	7/8-18	10	4.00	2.88	0.88	2.45	0.88
FJ4916-02-1012S*	7/8-18	12	4.00	2.88	0.88	2.45	0.88
FJ4916-03-1212S*	1-1/16-16	12	4.25	3.13	0.88	2.79	1.06

* MTO (made to order)

Factory crimp - GH001 and EC007

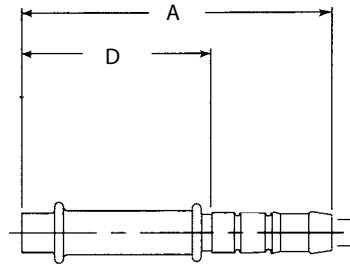
FJ2073



135° male O-ring (short pilot)

Part #	TH'D "T"	Hose Size	A Ref	D Ref	F Ref	H Ref	① Ref
FJ2073-1012S	7/8-18	12	4.15	2.39	—	2.66	1.06

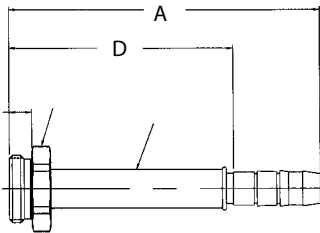
FJ2086 / FJ2087



O-ring connection

Part #	Hose Size	A Ref	D Ref	F Ref	H Ref	Pilot
FJ2086-0606S	6	2.65	1.61	—	—	Long
FJ2087-1212S	12	3.94	2.18	—	—	Short

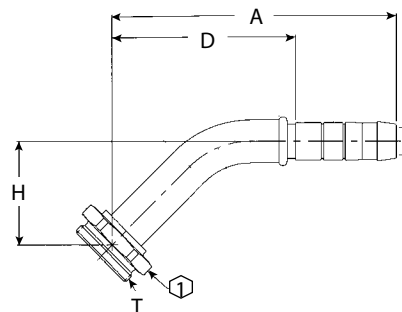
FJ2909



Straight 5400 coupling thread

Part #	TH'D "T"	Hose Size	A Ref	D Ref	F Ref	H Ref	① Ref
FJ2909-01-1212S	1 1/4-18	12	4.03	2.27	—	—	1.38
FJ2909-02-0808S	7/8-20	8	4.09	2.95	—	—	1.00
FJ2909-04-0806S	7/8-20	6	4.09	3.05	—	—	1.00

FJ2079

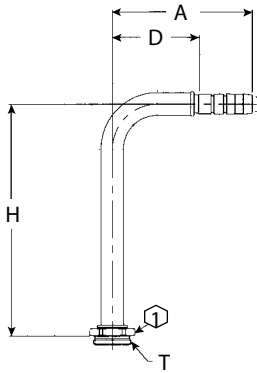


45° 5400 coupling thread

Part #	TH'D "T"	Hose Size	A Ref	D Ref	F Ref	H Ref	① Ref
FJ2079-1212S	1-1/4-18	12	4.97	3.21	—	1.80	1.38
FJ2079-01-0808S	7/8-20	8	3.70	2.58	—	1.00	1.00

Factory crimp - GH001 and EC007

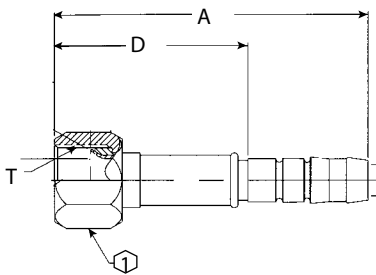
FJ2077 / EJ2012



90° 5400 coupling thread

Part #	TH'D "T"	Hose Size	A Ref	D Ref	F Ref	H Ref	① Ref
FJ2077-05-1212S	1-1/4-18	12	4.68	2.98	—	7.70	1.38
FJ2077-10-0806S	7/8-20	6	2.57	1.53	—	1.20	1.00
FJ2077-14-0806S	7/8-20	6	3.20	2.17	—	2.07	1.00
FJ2077-12-0808S	7/8-20	8	2.79	1.85	—	1.77	1.00
EJ2012-01-1212S	1-1/4-18	12	4.75	2.99	—	2.72	1.38
EJ2012-02-1212S	1-1/4-18	12	4.75	2.99	—	2.72	1.38

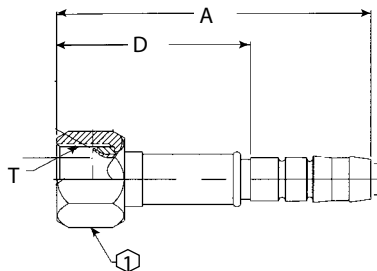
FJ3462



S.A.E. 37° swivel

Part #	TH'D "T"	Hose Size	A Ref	D Ref	F Ref	H Ref	① Ref
FJ3462-03-1212	1-1/16-12	12	4.65	2.89	—	—	1.06

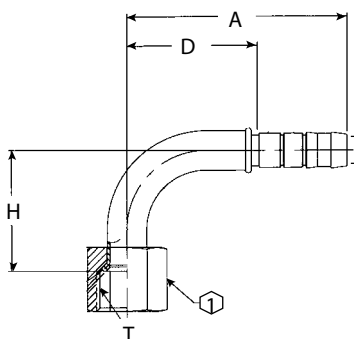
FJ4894 / FJ4960



S.A.E. 45° female swivel

Part #	TH'D "T"	Hose Size	A Ref	D Ref	F Ref	H Ref	① Ref
FJ4960-0404S	7/16-20	4	2.08	1.41	—	—	0.56
FJ4894-07-0606S	5/8-18	6	3.01	1.97	—	—	0.75
FJ4894-08-0808S	3/4-16	8	3.61	2.48	—	—	0.88
FJ4894-03-1010S	7/8-14	10	4.86	3.34	—	—	1.06
FJ4894-06-1012S	7/8-14	12	4.56	2.80	—	—	1.06
FJ4894-04-1212S	1-1/16-14	12	5.56	3.80	—	—	1.31

FJ4964 / FJ4896



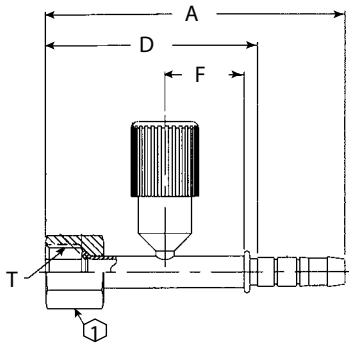
90° S.A.E. 45° female swivel

Part #	TH'D "T"	Hose Size	A Ref	D Ref	F Ref	H Ref	① Ref
FJ4964-0404S	7/16-20	4	2.08	1.41	—	1.00	0.56
FJ4896-03-0606S	5/8-18	6	2.44	1.42	—	1.25	0.75
FJ4896-04-0808S	3/4-16	8	2.79	1.65	—	1.53	0.88
FJ4896-05-1010S	7/8-14	10	3.48	1.94	—	1.78	1.06
FJ4896-06-1012S	7/8-14	12	3.82	2.07	—	1.78	1.06
FJ4896-01-1212S*	1-1/16-14	12	3.37	2.25	—	2.10	1.31

* MTO (made to order)

Factory crimp - GH001 and EC007

FJ4897

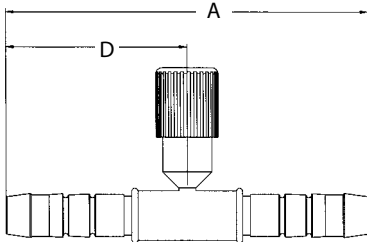


S.A.E. 45° swivel with high side charge port

Part #.	TH'D "T"	Hose Size	A Ref	D Ref	F Ref	H Ref	① Ref
FJ4897-01-0606S	5/8-18	6	3.46	2.51	0.94	—	0.75
FJ4897-02-0808S*	3/4-16	8	3.70	2.77	0.94	—	0.88
FJ4897-03-1010S*	7/8-14	10	4.22	3.10	0.94	—	1.06

* MTO (made to order)

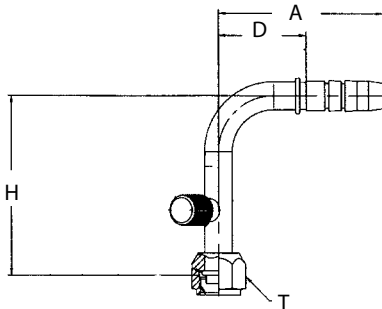
FJ2674 / FJ2675



Splicer with charge port

Nipple Part #	TH'D "T"	Hose Size	A Ref	D Ref	F Ref	H Ref	Port
FJ2674-1010S	—	10	7.87	3.93	—	—	Low
FJ2674-1212S	—	12	8.39	4.87	—	—	Low
FJ2675-0808S	—	8	5.61	3.33	—	—	High

FJ2746 / FJ2747 / FJ2765



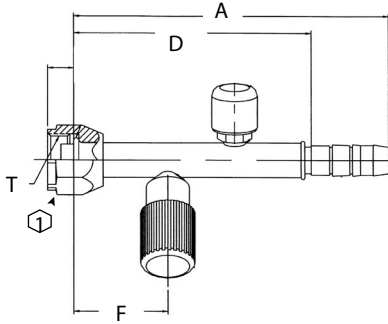
90° female O-Ring (short pilot), R134a low-side port and switch port (port to port rotations will vary - contact Danfoss application engineering)

Nipple Part #	TH'D "T"	Hose Size	A Ref	D Ref	F Ref	H Ref	Switch TH'D
FJ2746-1012S	7/8-14	12	3.75	1.99	*	4.02	7/16-20
FJ2747-1012S	7/8-14	12	3.75	1.99	*	4.02	7/16-20
FJ2765-1012S	7/8-14	12	6.71	4.95	0.88	2.06	7/16-20

* Ports located on drop

Factory crimp - GH001 and EC007

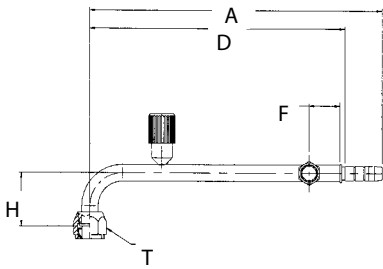
FJ2745



Straight female O-Ring (Long pilot), R134a hi-side port and switch port (port to port rotations will vary - contact Danfoss application engineering)

Nipple Part #	TH'D "T"	Hose Size	A Ref	D Ref	F Ref	H Ref	Switch TH'D
FJ2745-0808S	3/4-16	8	3.75	1.99	1.14	—	7/16-20

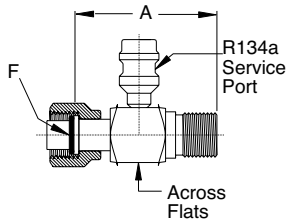
EJ2019 / EJ2091 / EJ2154



90° female O-Ring (long pilot), R134a hi-side port and switch port (port to port rotations will vary - contact Danfoss application engineering)

Nipple Part #	TH'D "T"	Hose Size	A Ref	D Ref	F Ref	H Ref	Switch TH'D
EJ2019-01-0808S	3/4-16	8	8.93	6.64	0.94	1.62	M12 x 1.25
EJ2091-01-0606S	5/8-18	6	5.37	4.33	1.30	2.52	7/16-20
EJ2154-0808S	3/4-16	8	4.43	3.29	1.09	1.71	M12 x 1.25

Factory crimp - GH001 and EC007

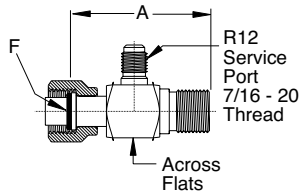


Bumped tube O-Ring adapter with R134a service port

Tube Size	Part #	Thread Size	Length A	Across Flats	Hex F	O-Ring
3/8	75701*	5/8-18	2.02	5/8'	3/4	ZW74706
1/2	75702*	3/4-16	2.22	7/8	7/8	ZW74708
5/8	75704**	7/8-14	2.63	7/8	1-1/16	ZW74710
3/4	75706**	1-1/16-14	2.89	1-1/16	1-1/4	ZW74712

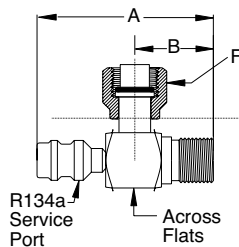
* High Side Port

** Low Side Port



Bumped tube O-Ring adapter with R12 service port

Tube Size	Part #	Thread Size	Length A	Across Flats	Hex F	O-Ring
3/8	R12-Z56	5/8-18	2.02	5/8'	3/4	ZW74706
1/2	R12-Z58	3/4-16	2.22	7/8	7/8	ZW74708
5/8	R12-Z60	7/8-14	2.63	7/8	1-1/16	ZW74710
3/4	R12-Z62	1-1/16-14	2.89	1-1/16	1-1/4	ZW74712

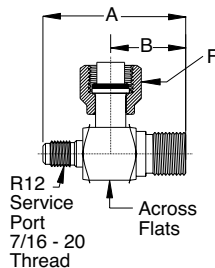


90° bumped tube O-Ring Adapter with R134a service port

Tube Size	Part #	Thread Size	Length A	Drop B	Across Flats	Hex F	O-Ring
3/8	75729*	5/8-18	2.46	1.05	5/8'	3/4	ZW74706
1/2	75730*	3/4-16	2.66	1.15	7/8	7/8	ZW74708
5/8	75731**	7/8-14	2.80	1.30	7/8	1-1/16	ZW74710
3/4	75732**	1-1/16-14	3.16	1.39	1-1/16'	1-1/4	ZW74712

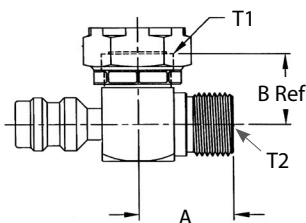
* High Side Port

** Low Side Port



90° bumped tube O-Ring Adapter with R12 service port

Tube Size	Part #	Thread Size	Length A	Drop B	Across Flats	Hex F	O-Ring
3/8	R12-Z96	5/8-18	2.07	1.05	5/8'	3/4	ZW74706
1/2	R12-Z97	3/4-16	2.27	1.15	7/8	7/8	ZW74708
5/8	R12-Z98	7/8-14	2.41	1.30	7/8	1-1/16	ZW74710
3/4	R12-Z99	1-1/16-16	2.77	1.39	1-1/16'	1-1/4	ZW74712



Rotalok to MIO

Part #	Tube Size	Thread Size (T1)	Thread Size (T2)	Drop A	Ref Drop	B Port	Ref	
75750	1/2	1-14	3/4-16	1.15	0.84	Hi-Side	—	
75751	5/8	1-14	7/8-16	1.29	0.84	Low-Side	—	
75760*	Same as 75750, except includes threaded cap for Rotalock end.						—	—
75761*	Same as 75751, except includes threaded cap for Rotalock end.						—	—

* High Side Port

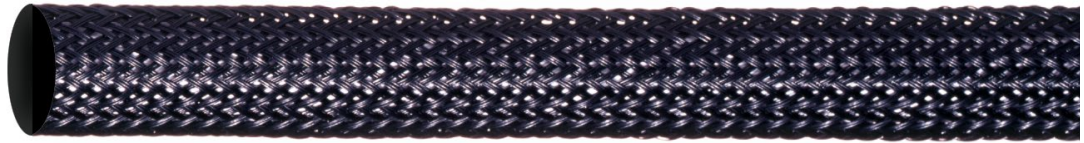
** Low Side Port

Accessories



Accessories

Nylon sleeving



Designed for abrasion protection of air conditioning hoses

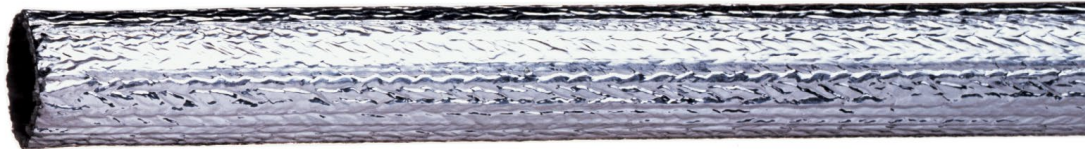
Features and Benefits

- Easy to cut and assemble
- Tight fit for tight spaces
- Nylon tie straps will hold in place (FF9349-22-150 for all sizes of sleeve)

Hose Sizes	Sleeve Size used for GH001 (Part Number)
GH001-6	FF90224-16
GH001-8	FF90224-16
GH001-10	FF90224-24
GH001-12	FF90224-24

Part Number	Sleeve Will Accept a Maximum O.D. of	Hose with a Minimum O.D. of
FF90224-16	1.12	0.68
FF90224-24	1.93	1.18

Heat sleeving



Designed for heat deflection of air conditioning hoses

Features and Benefits

- Fiberglass reinforced
- Wall thickness .025
- Protects from radiant heat to plus 400 °C (review application with Danfoss Sales Representative)
- Nylon tie straps will hold in place (FF9349-22-150 for all sizes)

FF90356 Reflective Heat Sleeve	Cross Diameter Size (inches)	For GH001 Hose Size
FF90356-01	1.00	-6 and -8
FF90356-02	1.25	-10 and -12
FF90356-04	0.75	-6
FF90356-05	0.62	-4
FF90356-06	1.50	-16

Accessories

Retaining bracket

Mechanical tube brackets

Danfoss' tube brackets have been designed specifically for a customer's unique bracketing requirements. The three-piece design begins with an EPDM grommet (figure 4), which minimizes tube friction, and "locks" the bracket onto the tube. This design withstands vibration in the toughest of environments, without slippage, and offers ease of fit up, that is often difficult with welded brackets. To complete the assembly, the bracket connection

is the customer's design, and the bracket retainer, or bracket top, is sized for a specific tube O.D.

To install the assembly, the bracket top and bracket bottom, lock into place, with the ease of a flange screw.

Part numbers for the grommet, bracket top and flange screw are shown in the chart below. A sample of the connecting bracket, is shown in figure A.

Contact your Danfoss Sales Representative, or Danfoss Applications Team to discuss additional designs that are currently available, or the opportunity to support a new design for your specific application.

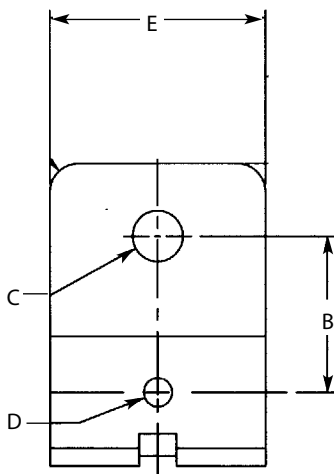


Figure 1 Bracket Top

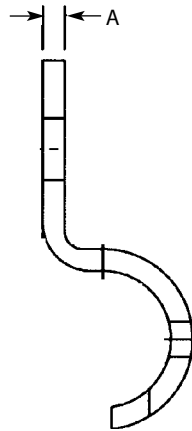


Figure 2 Bracket Top

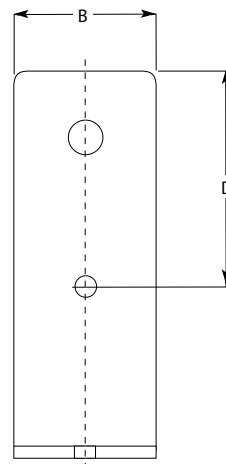


Figure 3 Base Bracket



Figure 4 Grommet

Description	Part #	Tube Size Used On	"A" Bracket Thickness	"B" Bracket Retainer Width	"C" Bracket Retainer Height	"D" Base Bracket Length
Tube Grommet	FF90420-06	6	—	—	—	—
Tube Grommet	FF90420-08	8	—	—	—	—
Tube Grommet	FF90420-14	14	—	—	—	—
Flange Screw	FF90453	All	—	—	—	—
Bracket Top*	FF90421-06	6	2.5/.098	30/1.181	7/.276	—
Bracket Top*	FF90421-08	8	2.5/.098	30/1.181	7/.276	—
Bracket Top*	FF90421-14	14	2.5/.098	30/1.181	7/.276	—
Base Bracket**	FF90422-14	14	2.5/.098	30/1.181	—	54/2.13

* Figure 1 and 2

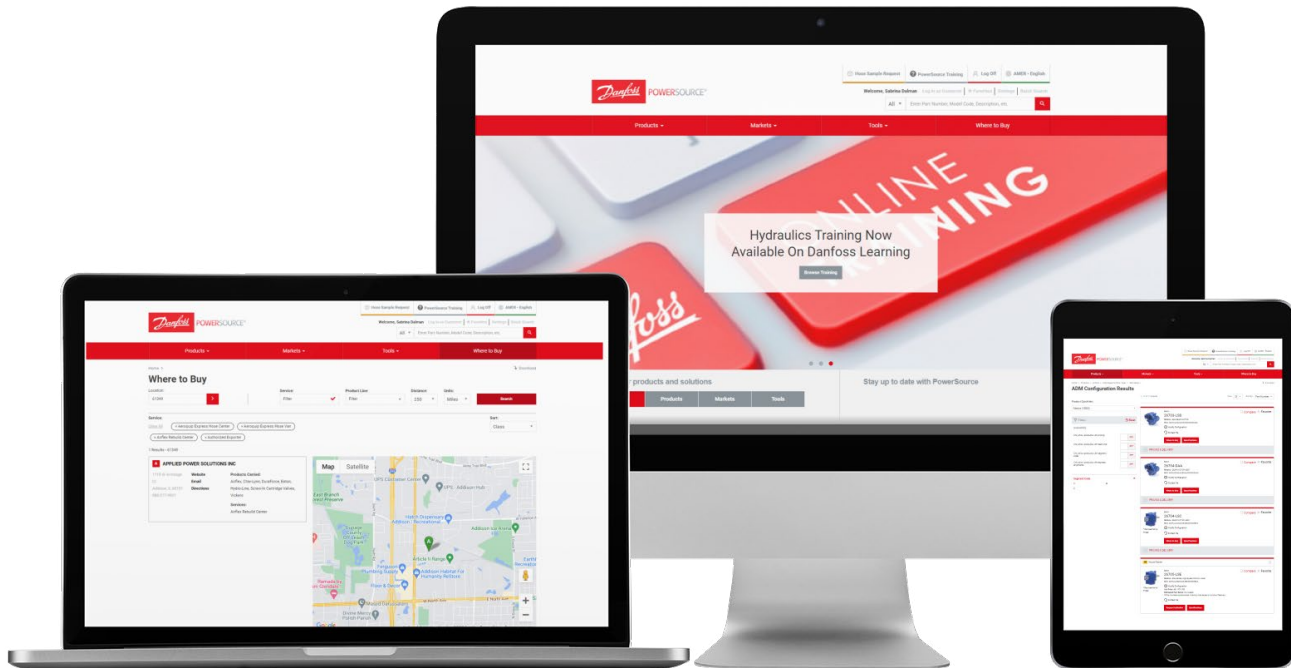
** Figure 3

Additional **resources**



Danfoss PowerSource™

Your information headquarters



Putting fluid conveyance information at your fingertips

powersource.danfoss.com

Danfoss PowerSource is the hub for all of Fluid Conveyance. This informational site houses Danfoss' product, market, and technical information including:

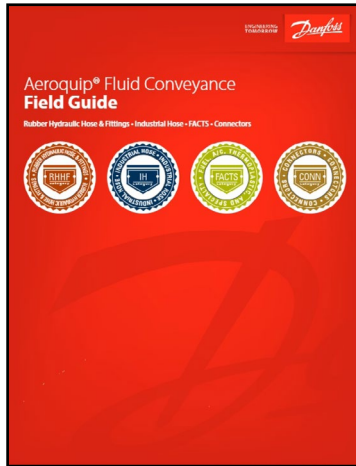
1. Searchable fluid conveyance product information:
 - Part numbers
 - Sizes
 - Performance and specifications
 - Branding information
2. Literature and videos
3. Product value propositions
4. Crimp specifications
5. Competitor cross reference tool
6. Coupling cross reference tool
7. Custom bin label tool
8. 2D/3D cad models
9. Hose assembly configurator
10. Marketplace (authenticated PowerSource only)
11. List prices and lead times (authenticated PowerSource only)

To access these tools and more, visit and log in to PowerSource from the authenticated distributor portal site and then select tools

Additional resources



Danfoss EZ Clip fact sheet
Document #: AM440555169234en-000102



Aeroquip Fluid Conveyance Field Guide
Document #: AD424137804890en-000101



Weatherhead Fluid Conveyance Field Guide
Document #: AD424137965891en-000101

Technical support

For further questions and support, contact Danfoss technical support at +1 (888) 258-0222 or fpgproductssupport@Danfoss.com

Digital copies

This literature is available electronically at: powersource.danfoss.com

Need a hard copy?

Order at Taylor Communications
taylorcommunications.com
+1 (866) 541-0937

ENGINEERING
TOMORROW



Danfoss Power Solutions, Nordborgvej 81, 6430 Nordborg, Denmark, Tel. +45 74 88 22 22, Fax +45 74 65 25 80
www.danfoss.com, E-mail: info@danfoss.com

Any information, including, but not limited to information on selection of product, its application or use, product design, weight, dimensions, capacity or any other technical data in product manuals, catalogues descriptions, advertisements, etc. and whether made available in writing, orally, electronically, online or via download, shall be considered informative, and is only binding if and to the extent, explicit reference is made in a quotation or order confirmation. Danfoss cannot accept any responsibility for possible errors in catalogues, brochures, videos and other material. Danfoss reserves the right to alter its products without notice. This also applies to products ordered but not delivered provided that such alterations can be made without changes to form, fit or function of the product. All trademarks in this material are property of Danfoss A/S or Danfoss group companies. Danfoss and the Danfoss logo are trademarks of Danfoss A/S. All rights reserved.